


PRODUCT SHEET

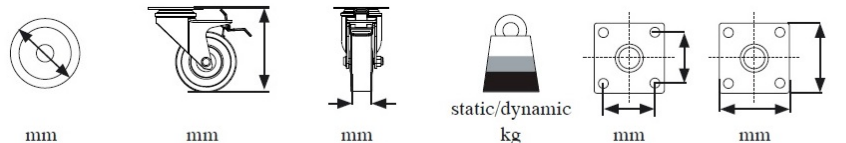
Description:

Fork Castor "Brutus" ø75mm, W/Top PL 65x65mm, W/Full Brake, MH 100mm Soft Rubber Track, cc:50X50mm, Brake Blocks the Wheel, & Plate Brake made of 100 % Metal

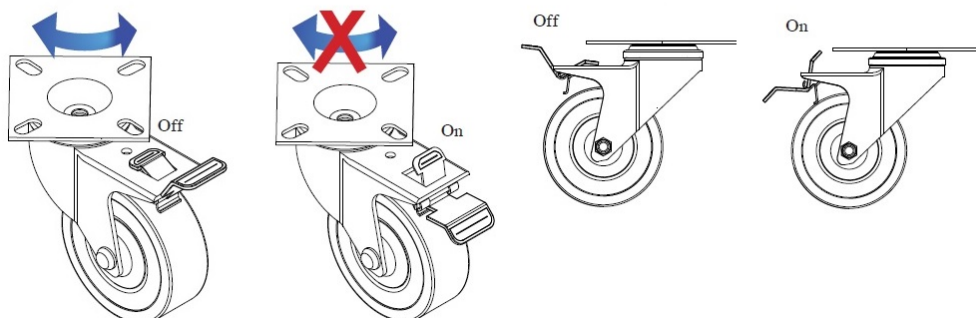
Item number:

08.12.167-1

Units	Box	Carton	HS Code	Barcode
Pcs.	1	50	8302200090	
				5704866473583



75 100 21 60/45 45 x 45 65 x 65 x 2



SISO A/S

Mileparken 11
DK-2740 Skovlunde
Denmark
VAT: DK 24786013

Phone +45 45 830 900

www.siso.dk
siso@siso.dk

Danske Bank
Nytorv Branch
Copenhagen
SWIFT: DABADKKK

Account no.
4180 3112 112936
IBAN Account
DK7230003112112936