


PRODUCT SHEET

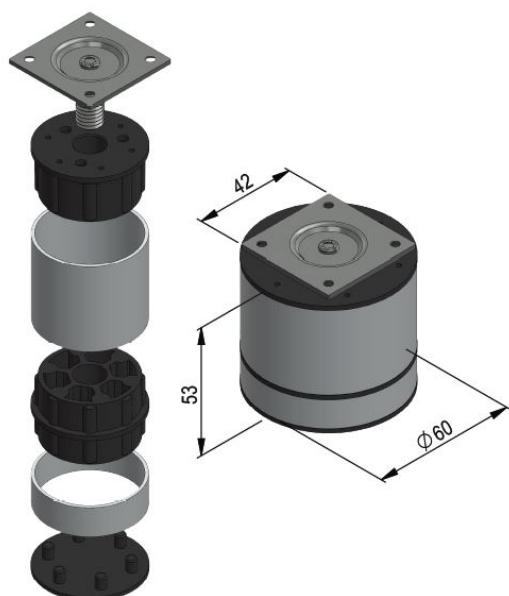
Description:

Alu Leg Jaco $\varnothing 60\text{mm}$, H 58mm PL 42x42x2mm, cc 32x32mm Stem: M10X27mm ,Silver Sprayed Finish

Item number:

06.09.475-0

Units	Box	Carton	HS Code	Barcode
Pcs.	1	100	7616991099	 5704866004107



SISO A/S

Mileparken 11
DK-2740 Skovlunde
Denmark
VAT: DK 24786013

Phone +45 45 830 900

www.siso.dk
siso@siso.dk

Danske Bank
Nytorv Branch
Copenhagen
SWIFT: DABADKKK

Account no.
4180 3112 112936
IBAN Account
DK7230003112112936