


PRODUCT SHEET

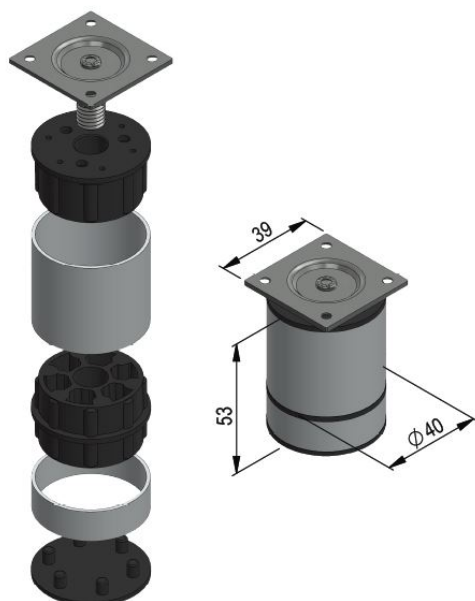
Description:

Alu Leg Jaco \varnothing 40mm, H 58mm PL 39x39x2mm, cc 29x29mm 3

Item number:

06.09.465-0

Units	Box	Carton	HS Code	Barcode
Pcs.	1	100	7616991099	 5704866004015



SISO A/S

Mileparken 11
DK-2740 Skovlunde
Denmark
VAT: DK 24786013

Phone +45 45 830 900

www.siso.dk
siso@siso.dk

Danske Bank
Nytorv Branch
Copenhagen
SWIFT: DABADKKK

Account no.
4180 3112 112936
IBAN Account
DK7230003112112936