


PRODUCT SHEET

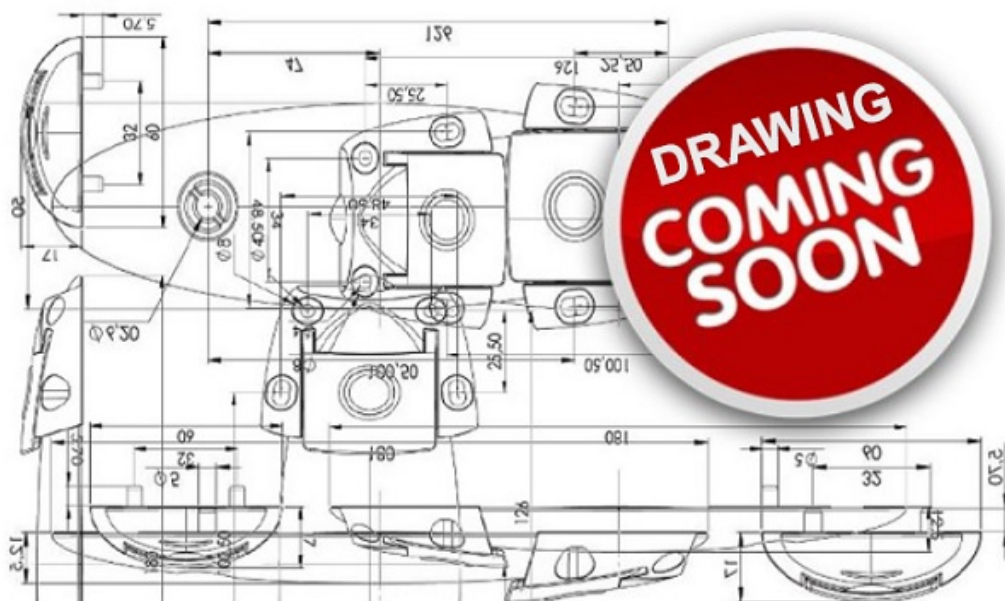
Description:

Globe Spring SWG 19 ϕ 5.3/3.8/1.0mm Transparent PVC

Item number:

01.01.025-1

| Units | Box | Carton | HS Code | Barcode |
|-------|-----|--------|------------|---|
| Mtr. | | 250 | 3926300090 |  5704866001571 |



SISO A/S

Mileparken 11
DK-2740 Skovlunde
Denmark
VAT: DK 24786013

Phone +45 45 830 900

www.siso.dk
siso@siso.dk

Danske Bank
Nytorv Branch
Copenhagen
SWIFT: DABADKKK

Account no.
4180 3112 112936
IBAN Account
DK7230003112112936