

"TWIST 'N TURN" - THE LEG CONNECTOR

- high quality furniture fittings



"TWIST 'N TURN" - THE LEG CONNECTOR

Ideal for tables, cabinets, beds, sofas, coffee tables ect.

Feature: Adjustable in 5 steps from 0 to 15 degrees

Material: PA6 – re-inforced with glass fibre

Size: Ø 79,5 x 20 mm

Screw holes: Ø 6,2 mm

Item No.: # 06.11.130

Packing: 1 pce. per inner box

Screws and hangerbolt to be bought separately



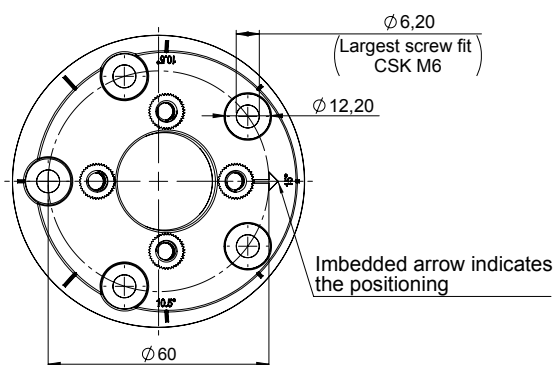
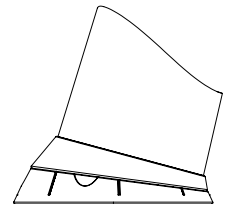
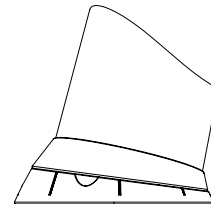
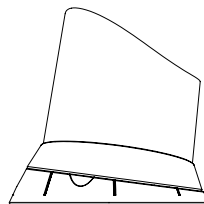
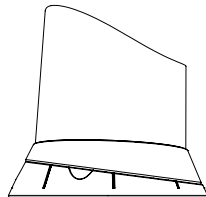
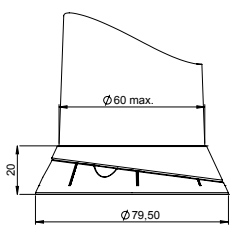
0 degrees

5,5 degrees

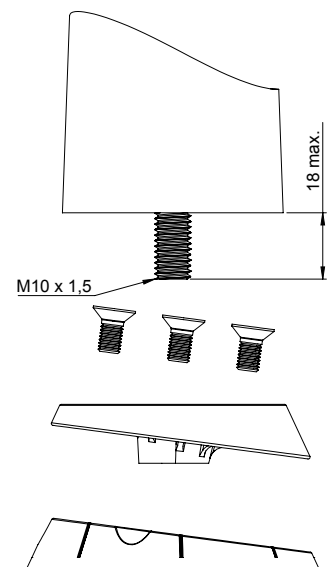
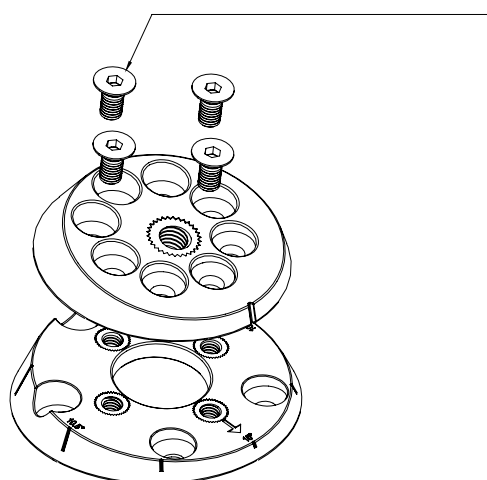
10,5 degrees

13,5 degrees

15 degrees



The 4 illustrated screws are included. Used to set the desired bracket angle before installing the leg



PATENTED

SISO A/S

Mileparken 11 Phone: (+45) 45 830 900
 DK - 2740 Skovlunde (Copenhagen) Fax: (+45) 45 830 444
 Denmark E-mail: siso@siso.dk Web: www.siso.dk