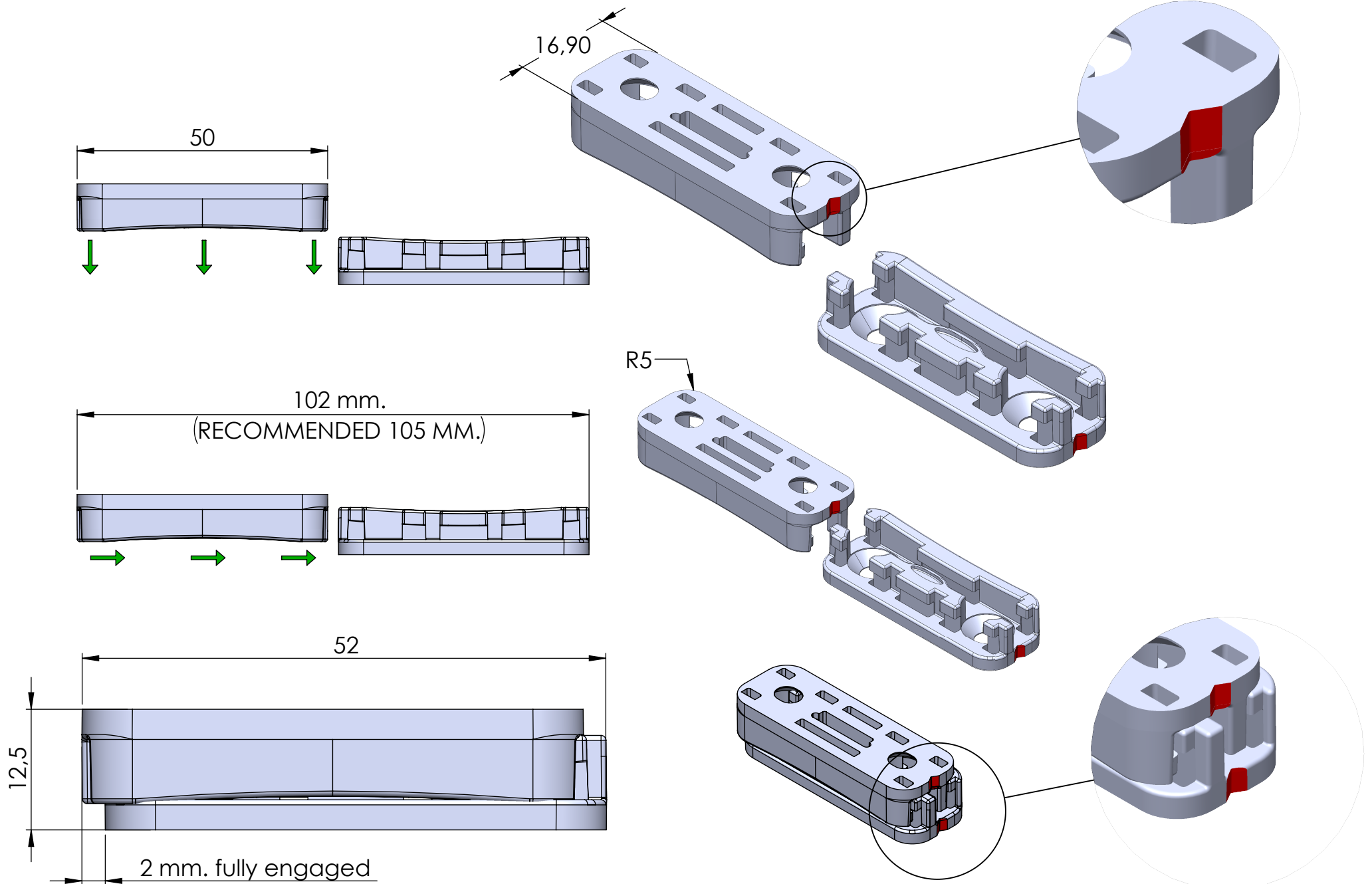
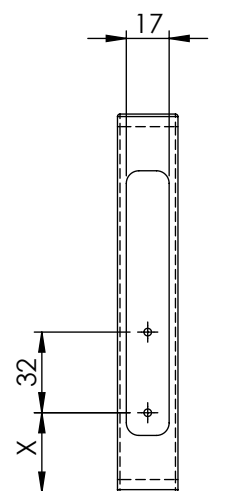
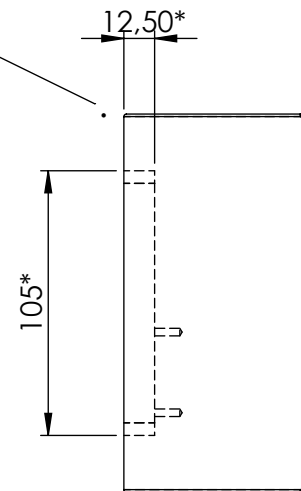
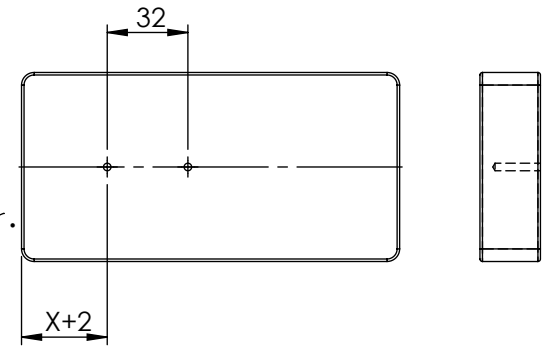
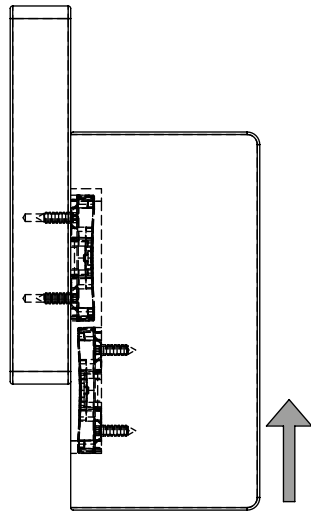
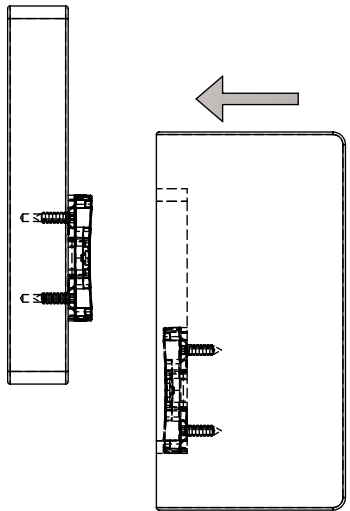
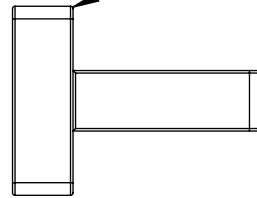
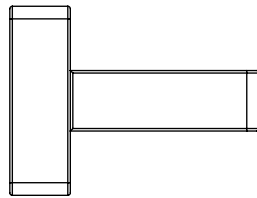
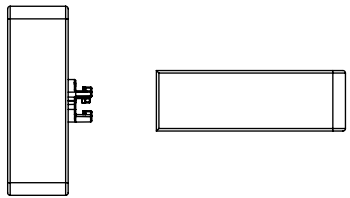
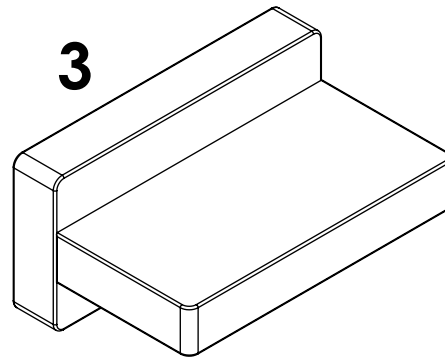
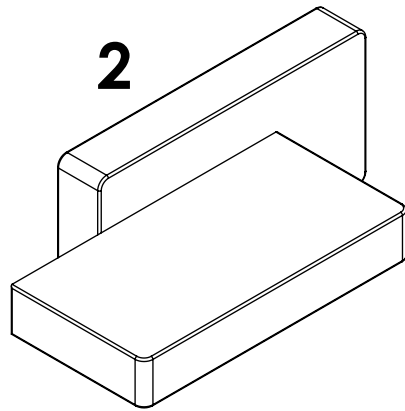
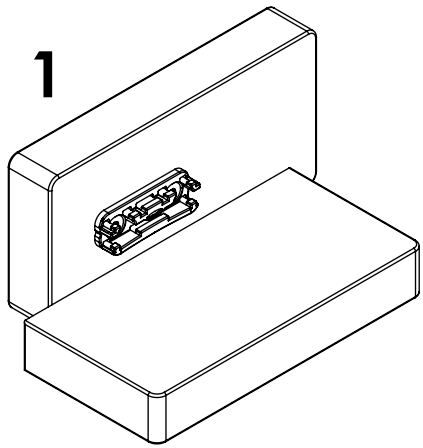


Notice: Orientation cut



Notice: Orientation cut pointing in the same direction.

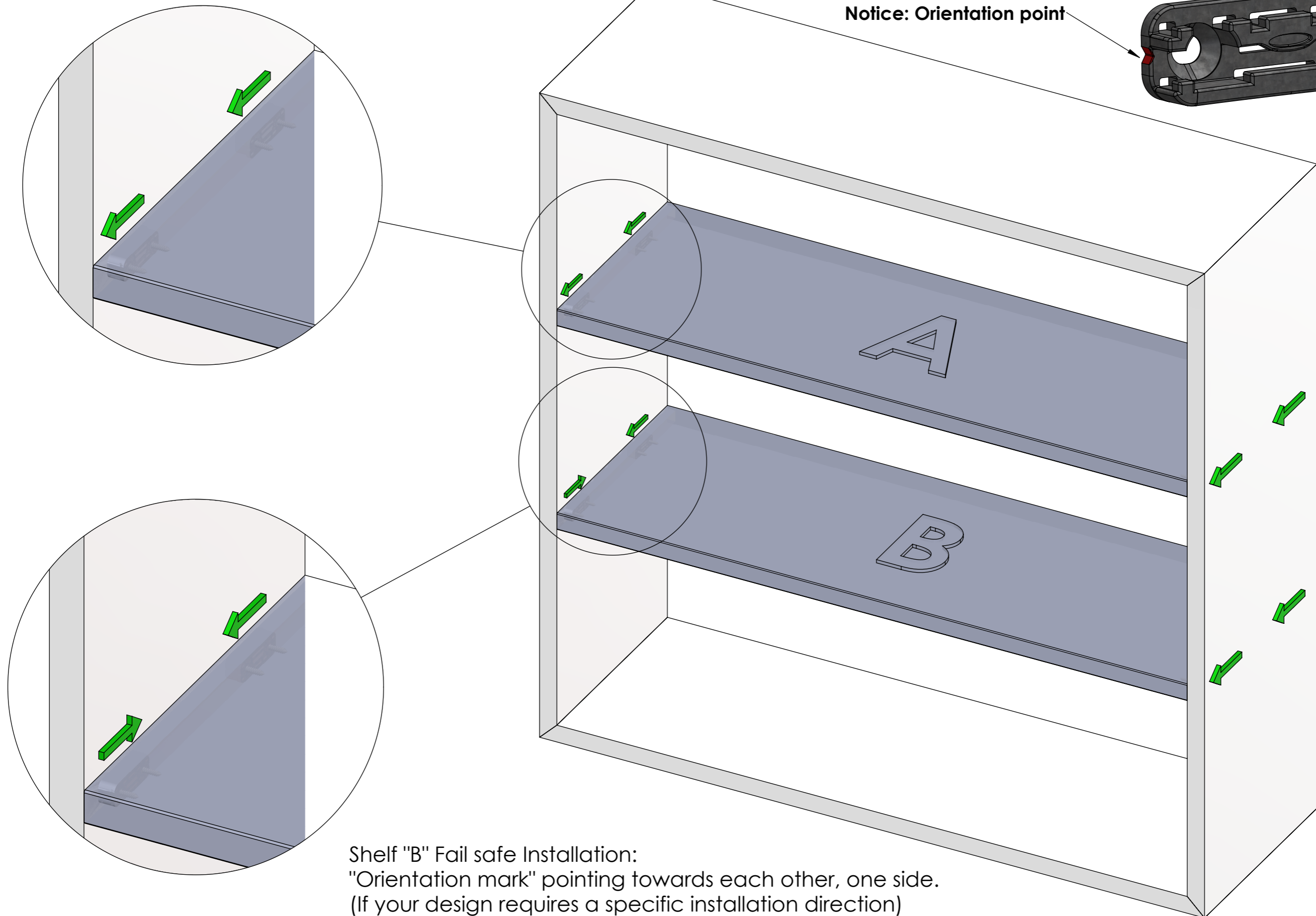


* = Recommended
Measurements in mm.

Shelf "A" Standard Installation:
"Orientation mark" pointing in the same direction

Arrow = Orientation of Nigiri in this installation

Notice: Orientation point



Shelf "B" Fail safe Installation:
"Orientation mark" pointing towards each other, one side.
(If your design requires a specific installation direction)