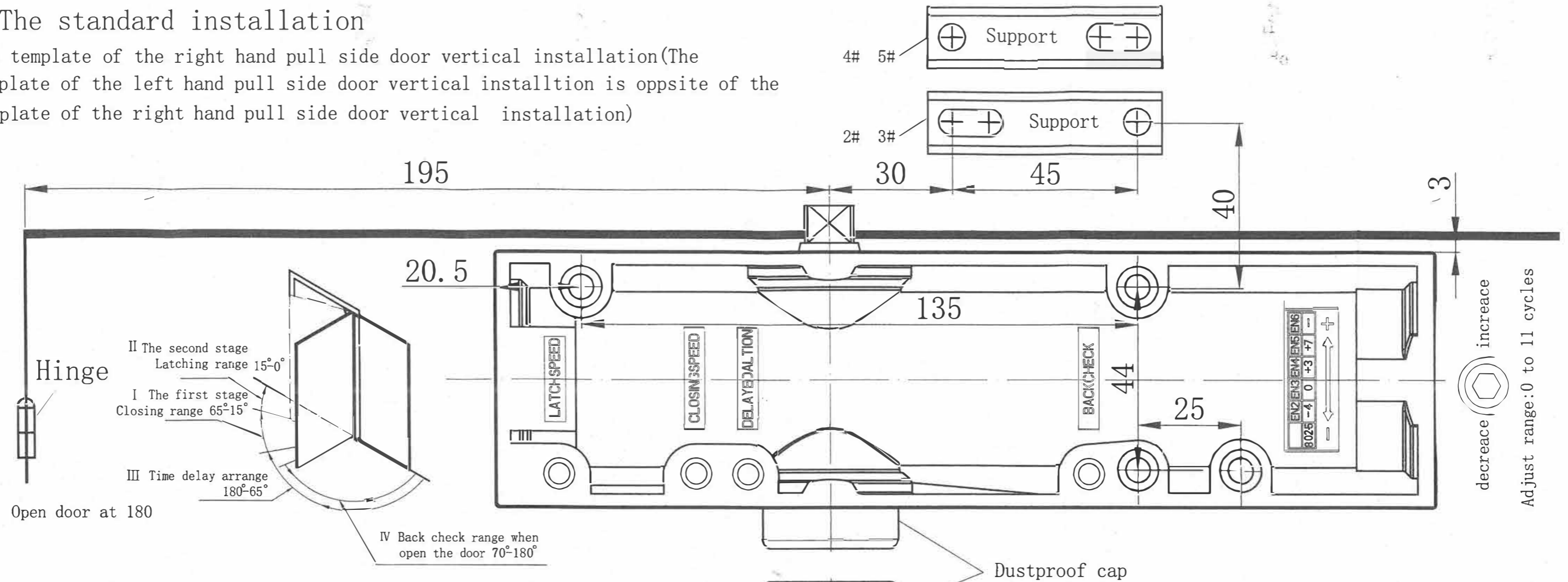


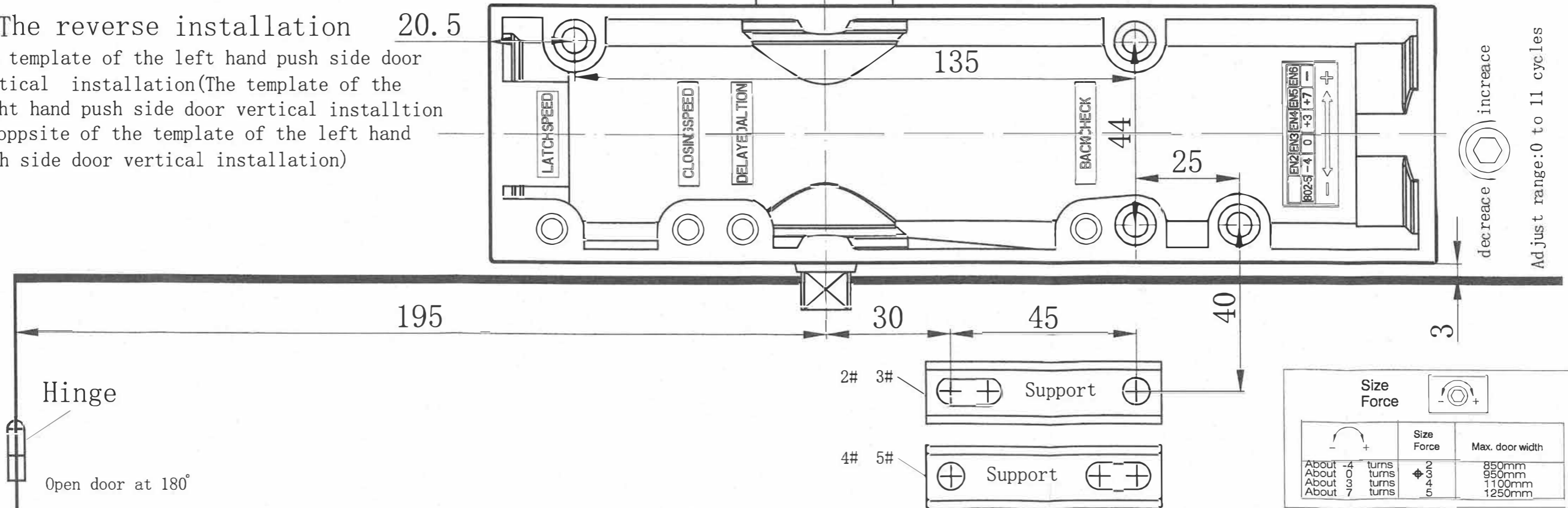
■ The standard installation

The template of the right hand pull side door vertical installation (The template of the left hand pull side door vertical installation is opposite of the template of the right hand pull side door vertical installation)



■ The reverse installation

The template of the left hand push side door vertical installation (The template of the right hand push side door vertical installation is opposite of the template of the left hand push side door vertical installation)

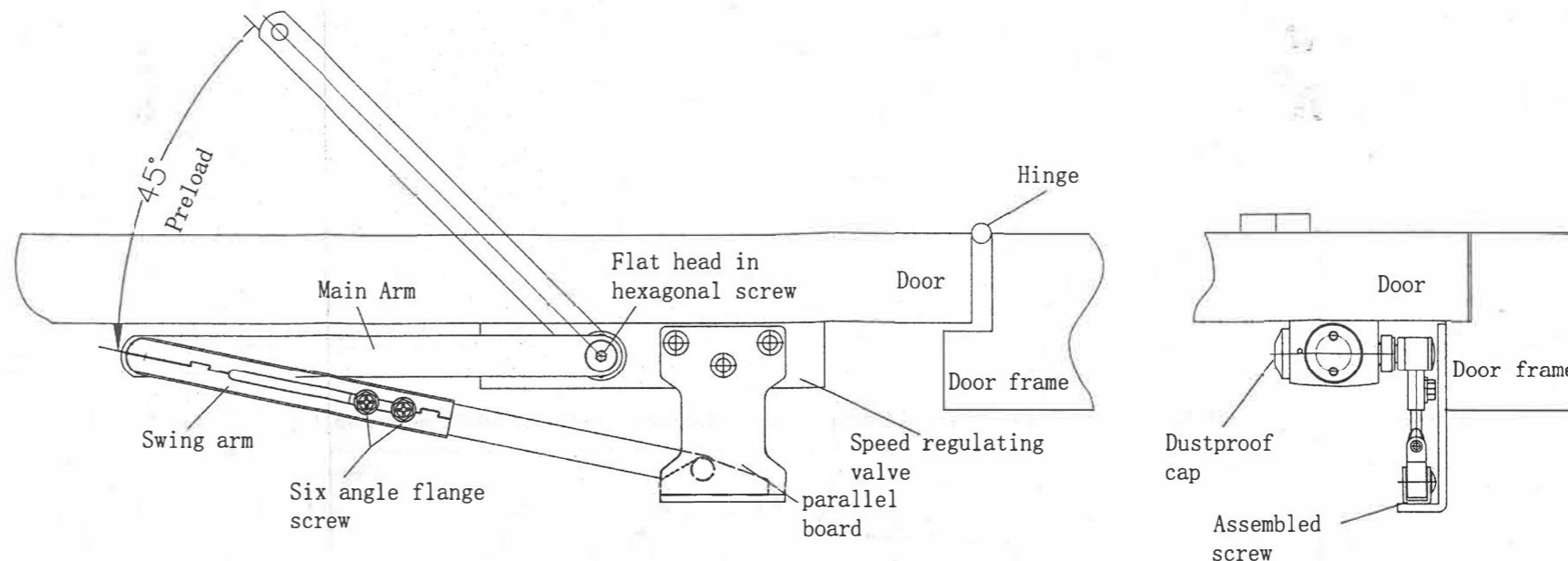


Size Force		Size Force		Max. door width	
About -4 turns	2	850mm			
About 0 turns	3	950mm			
About 3 turns	4	1100mm			
About 7 turns	5	1250mm			

⊕ Factory preset

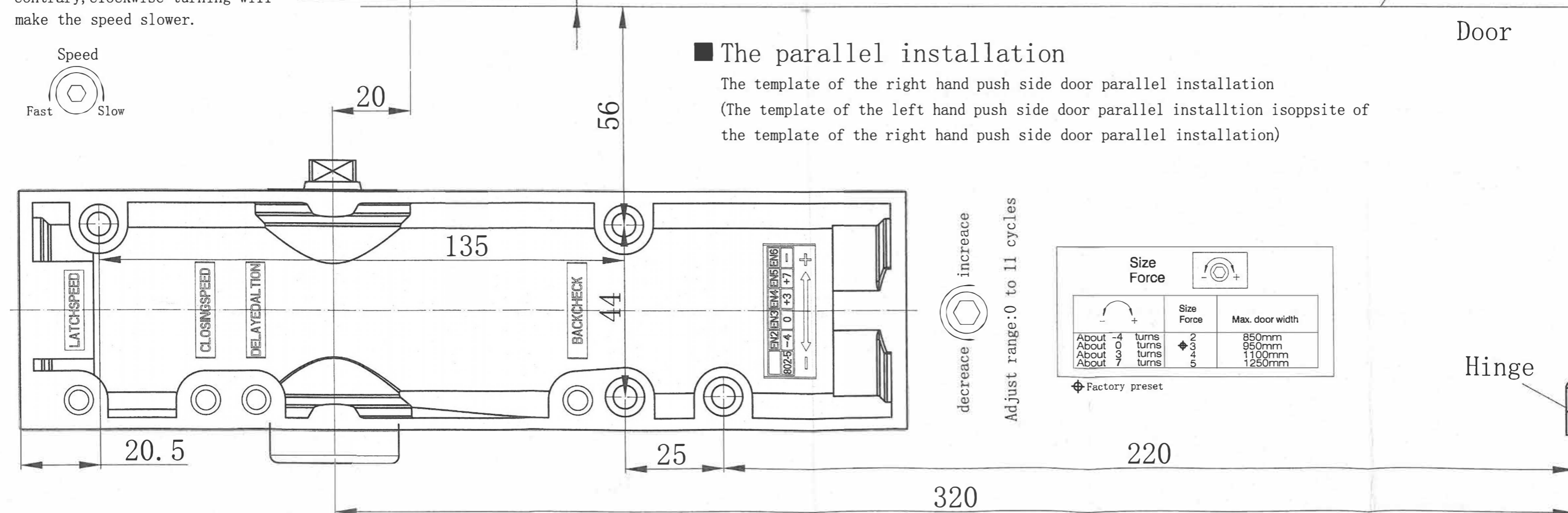
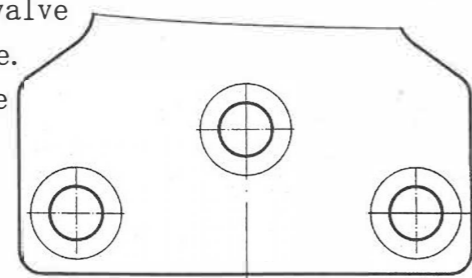
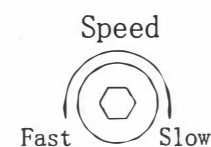
II. The steps of parralel installation

1. According to the mark, fold the parallel installation template to 90 degree. Stick it on the door and frame,
2. According to the position of the installation template, drill screw holes
3. According to the drilled holes, install the door closer main body and parralel board on the door and door frame. Then fasten.
4. Take off the Support of the Adjective Arm, Install the arm on the square tenon of gearing bearing. Then fasten by the assembled screw.
5. Preload the arm to 45 degree, make it parralel with door closer main body. Adjust the length of the Adjective Arm to install the Arm, put the clamp cover on the gear of the parralel board. Fasten the assembled screw, Then fasten the nut of the link.
6. Put the dustproof cap on the other end of the ger shaft



III. Adjust the speed of the door closer

1. I is Closing speed regulation valve.
II is latching speed regulation valve
III is time delay regulation valve
IV is back check regulation valve
V is power adjustment nut
2. Counter-clockwise turning can make the speed faster. On the contrary, clockwise turning will make the speed slower.



IV. Notices

1. Please don't rotate the direction of the square tenon of the gear before install the door closer.
2. Please don't hit the square tenon of the gear hard when you install the arm
3. Door closer can auto-close the door by themselves extra efforts to close the door are not permitted
4. Fasten the all screws after half a moth with use.
5. Pay attention to the speed regulation in the summer and winter seasons
6. Please don't screw the regulating valve off main body, when you adjust the speed

■ The parallel installation

The template of the right hand push side door parallel installation
(The template of the left hand push side door parallel installation is opposite of the template of the right hand push side door parallel installation)

increase
decrease
Adjust range: 0 to 11 cycles

Size Force		Max. door width
About -4 turns	2	850mm
About 0 turns	3	950mm
About 3 turns	4	1100mm
About 7 turns	5	1250mm

⊕ Factory preset

Hinge