

User manual for SISO finger print lock



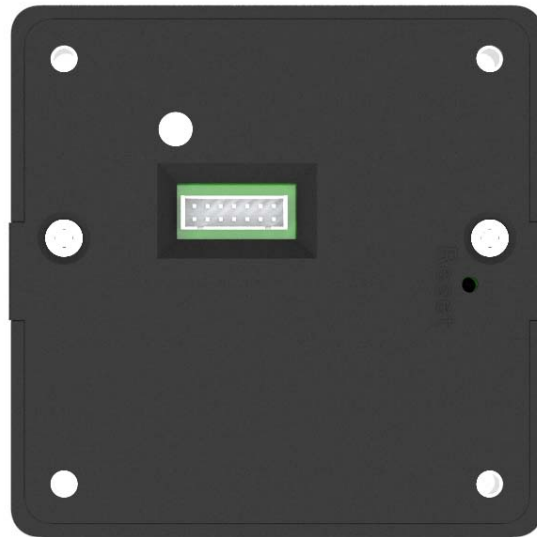
| | |
|--|----------|
| 1. PRODUCT APPEARANCE | I |
| 1.1. Panel appearance | I |
| 1.2. LOCK BODY APPEARANCE..... | II |
| 2. PRODUCT DIMENSION..... | - 1 - |
| 2.3. Hook dimension | - 2 - |
| 4. PRODUCT FUNCTIONS | - 6 - |
| 4.1 Functions & features: | - 6 - |
| 4.2. Parameters | - 7 - |
| 5. OPERATION | - 7 - |
| 5.1. System initialization..... | - 7 - |
| 5.2. Set fingerprint..... | - 8 - |
| 5.3. Change lock mode..... | - 8 - |
| (factory setting: Temporary public mode)..... | - 8 - |
| 5.4 Change fingerprint mode..... | - 9 - |
| (factory setting:single fingerprint mode)..... | - 9 - |
| 5.5. Hook warning function..... | - 9 - |
| (factory setting: with hook warning function)..... | - 9 - |
| 5.6. Lock mode..... | - 9 - |
| 5.7. Emergency unlocking..... | - 9 - |

1. PRODUCT APPEARANCE

1.1. Panel appearance

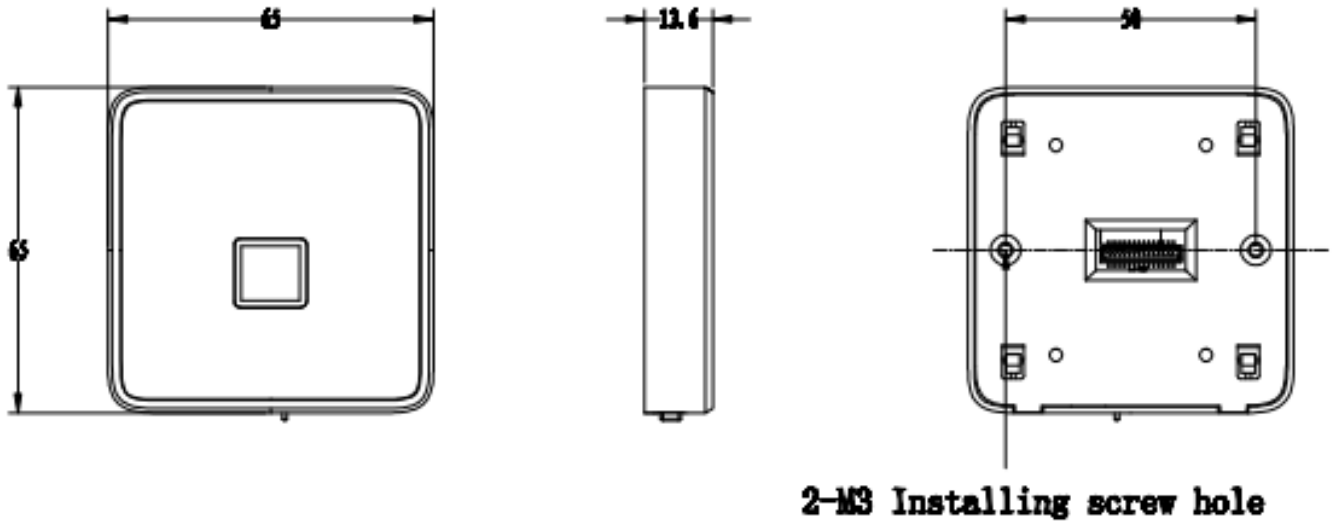


1.2. Lock body appearance

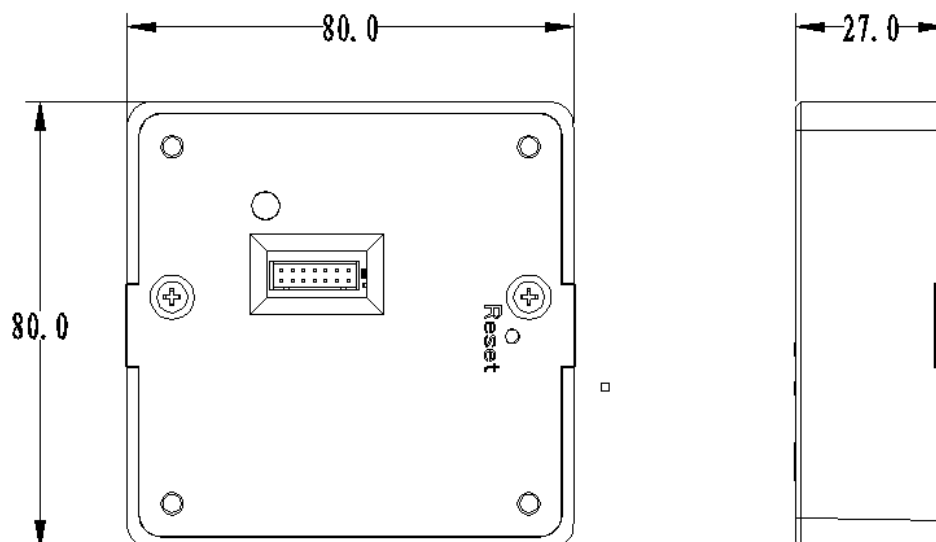


2. PRODUCT DIMENSION

2.1. Panel dimension

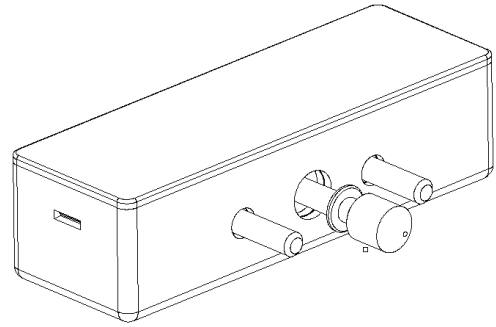
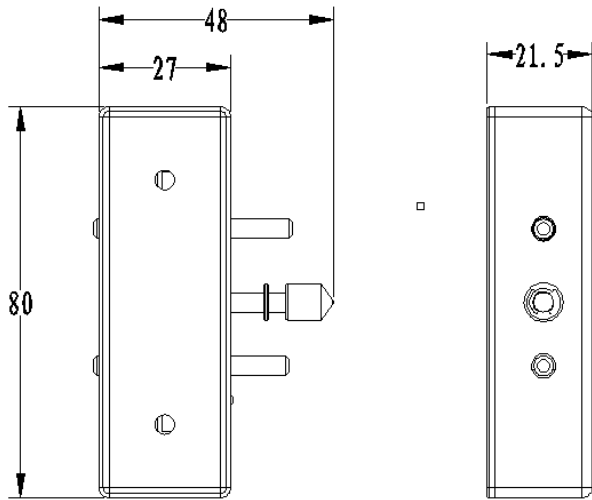


2.2. Lock body dimension

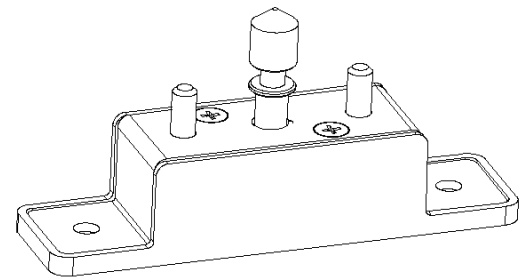
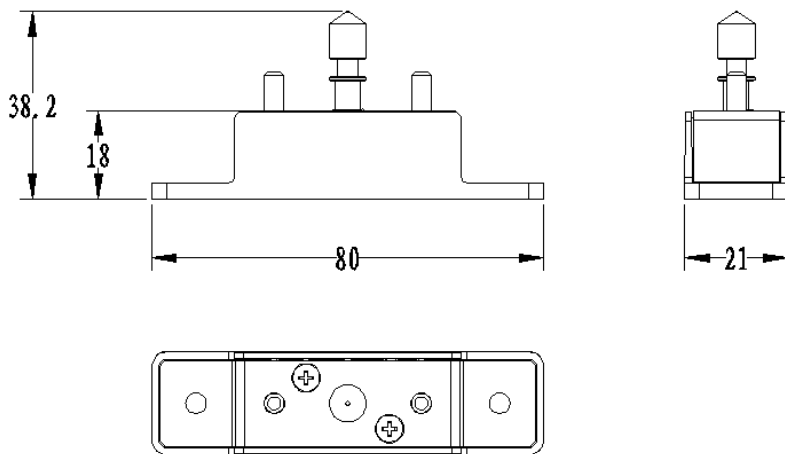


2.3. Hook dimension

Hook A

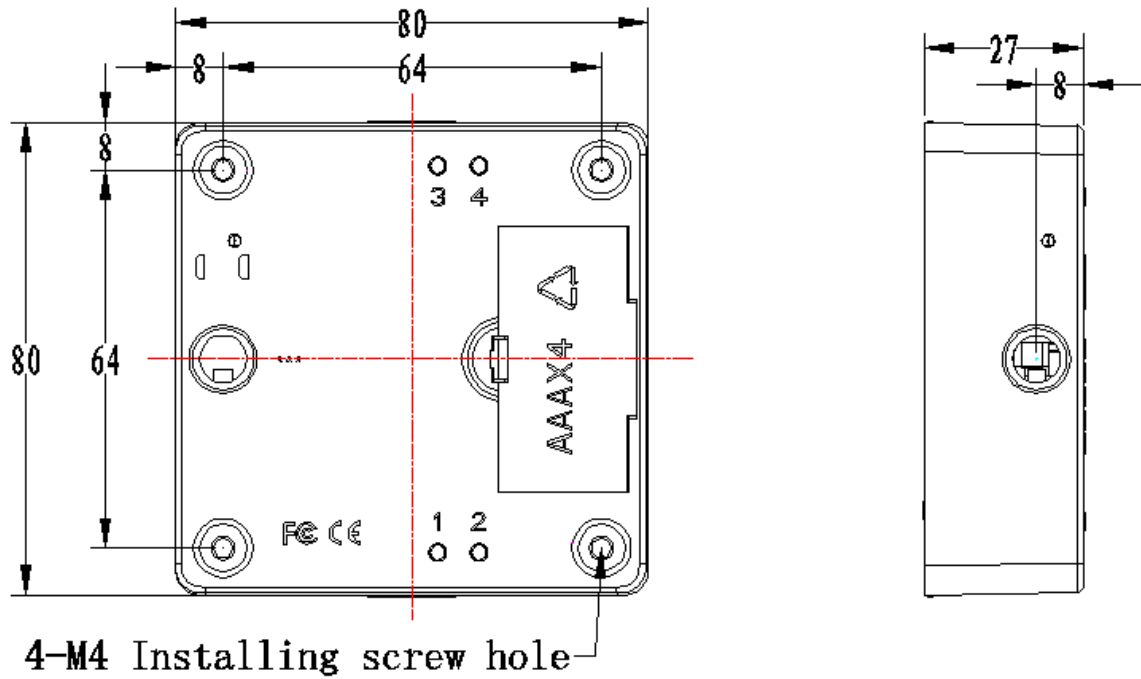


Hook B

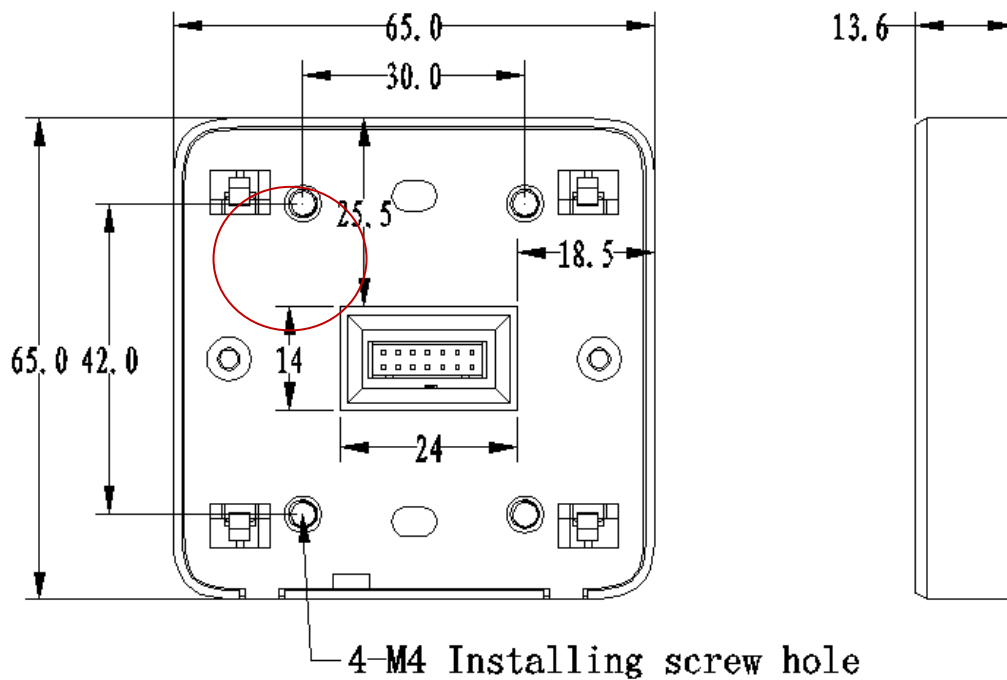


2.4. Installation dimension

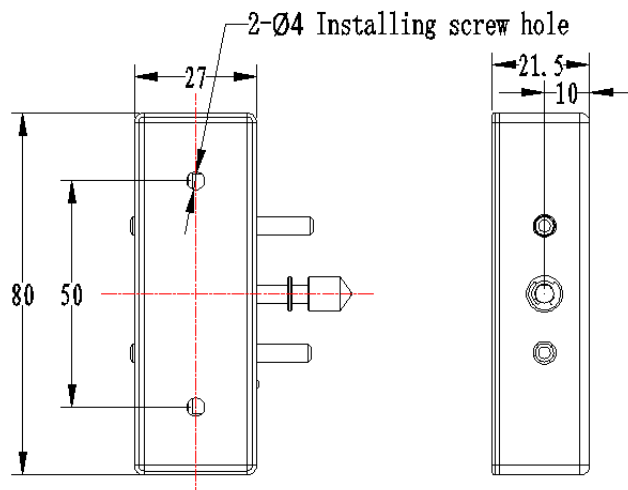
Lock body installation



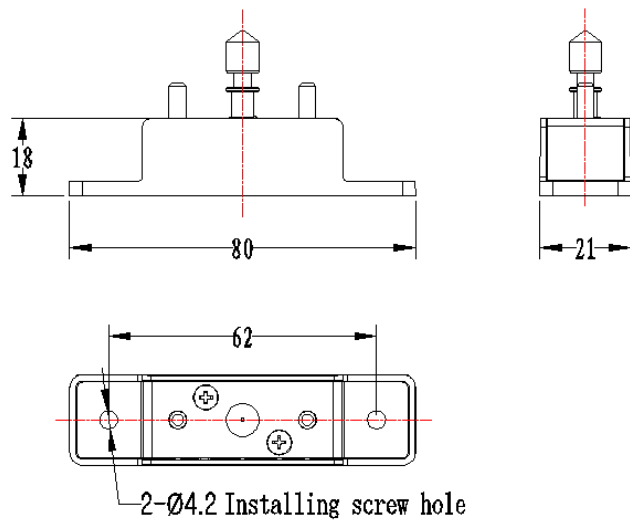
Lock Panel installation



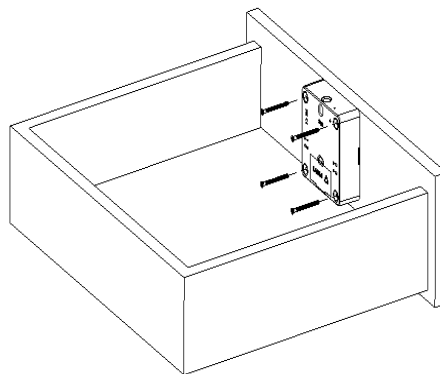
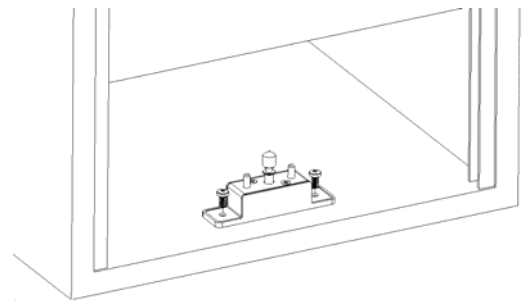
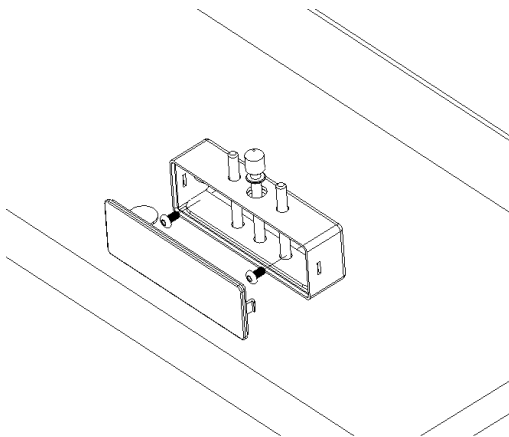
Hook A installation



Hook B installation



3. Installation drawings



4. PRODUCT FUNCTIONS

4.1 Functions & features:

| Functions | Features |
|---|--|
| Sound prompt | Lock will make sound when press fingerprint, battery is low voltage, correct/wrong key is input and unlocking for a long time |
| Light prompt | Green: means correct |
| | Red: means incorrect |
| | Blue: means low voltage |
| | White: standby condition |
| Low voltage warning | When battery' s voltage is lower than 4.5V, light will shines in blue and lock sounds "di di" to remind user change new batteries |
| | When voltage is less than 4V, lock can' t be locked until change new batteries. |
| | Lock can work normally 1000 times after low voltage warning |
| Lock hook warning | Lock will keep warning 10s if it' s keep unlocking more than 30s. |
| | Lock hook warning function only exist in Private mode. |
| Double fingerprint unlock | Factory setting: single fingerprint, public mode |
| | Single fingerprint:enter the correct fingerprint. |
| | Double fingerprint: Use one correct fingerprint, light will shine in green.And use another fingerprint. No order request. |
| Attack protection | Input wrong code/swipe wrong card, lock will shine in red twice and prompt with "di di" .Wrong for 5 times continuously, lock will be unavailable for 5mins. Use management fingerprint can make it available. |
| | During unavailable period, input any fingerprint, lock will prompt with "di di di di di di di di di" and light shines in red.After 5mins lock will be available. |
| Micro USB for emergency power supply (on panel) | When it' s out of power, user can connect micro USB to supply power to lock |
| Management fingerprint | Management fingerprint is used for setting user fingerprint, and emergency unlocking. |
| Delete fingerprint | Delete fingerprint, Keep pressing button "2" for 2s, during light shines in green, pressing correct management fingerprint, LED green light shine 1s and "di", delete user fingerprint,management fingerprint Can' t be deleted. |

4.2. Parameters

| | |
|---------------------|--|
| Material | ABS for lock body shell 、 PC for panel |
| Power consumption | Static power consumption <40uA |
| | Dynamic power consumption<250mA |
| | Standby power consumption<50mA |
| Working voltage | DC6V (AA 1.5V×4pcs) |
| | Can be used for around 1 year |
| Working environment | Working temperature -20℃ ~ +65℃ |
| | Working humidity 10% ~ 90%RH |
| Anti-static | Air static 15KV |
| | Touch static 8KV |
| Unlock number | New(AAA 1.5V × 4)7# alkaline batteries have been unlocked more than 19,000 times |
| | (AAA 1.5V × 4)7# Alkaline batteries low-voltage unlock more than 1000times |

5. OPERATION

5.1. System initialization

| Items | Operation |
|----------------|---|
| Initialization | Keep pressing “reset” key for 2s, lock will prompt with “di di” and light shines in green twice. Initializing successfully. (All information is restored to factory Settings) |

5.2. Set fingerprint

| Items | Operation |
|--|--|
| Set management fingerprint | Keep pressing “1” button for 2s, lock will prompt with “di” and light shine in green. Input first fingerprint is management fingerprint, light shine in blue, the fingerprint needs to be verified three times. First verification “di”, second “di di”, third “di di di”. Pass three verification, fingerprint successfully |
| Set user fingerprint (temporary public mode can't set) | Keep pressing “1” button for 2s, during green light shining, input management fingerprint, “di” and input user fingerprint. The fingerprint needs to be verified three times. First verification “di”, second “di di”, third “di di di”. Pass three verification, fingerprint successfully |
| Notice: Could set 20 user fingerprint, during setting fingerprint, verification three times is same fingerprint. | |

5.3. Change lock mode

(factory setting: Temporary public mode)

| | |
|-----------------------|--|
| Temporary public mode | Keep pressing button “3” for 1s, motor turn, lock prompts with “di” and LED shine once. Change to temporary public mode successfully. |
| Private mode | Keep pressing button “3” for 1s, motor turn, lock prompts with “di di” and LED shine twice. Change to private mode successfully. |
| Limited public mode | Keep pressing button “3” for 1s, motor turn, lock prompts with “di di di” and LED shine twice. Change to fixed Limited public mode successfully. |

5.4 Change fingerprint mode

(Factory setting:single fingerprint mode)

| | |
|-------------------------|---|
| Single fingerprint mode | Keep pressing button “4” for 1s, lock prompts with “di” and LED shine once. Change to single fingerprint mode successfully. |
| Double fingerprint mode | Keep pressing button “4” for 1s, lock prompts with “di di” and LED shine twice. Change to two mode successfully. |

5.5. Hook warning function

(Factory setting: with hook warning function)

| | |
|----------------------------------|---|
| Activate hook warning function | Press button “1” & “2” at the same time, Lock will prompt with “di” and LED shine in green once. Activate successfully. |
| Inactivate hook warning function | Press button “1” & “2” at the same time, Lock will prompt with “di di” and LED shine in green Twice. Inactivate successfully. |

5.6. Lock mode

| | |
|------------------------------|---|
| Private mode (locked) | Need to set User fingerprint by management fingerprint. Input correct user fingerprint can unlock lock, and it will be locked automatically 3s later. |
| Public mode (unlocked) | Input any fingerprint to close the lock. Then lock can only be unlocked by the same fingerprint . The user fingerprint is effective once. |
| Limited public mode (locked) | Need to set User fingerprint. Lock is locked. Input correct fingerprint can unlock. And input a correct fingerprint can close the lock. |

5.7. Emergency unlocking

5.7.1 If lock is out of power, user can connect Micro USB connector on the panel to supply power to lock.

5.7.2 If user forget user fingerprint, user can use management fingerprint.

6. INSTALLATION AND TEST

6.1. After Install according to the "Installation Instruction" ;

6.2. After installing, please test the lock.

6.3. Please test the whole lock and confirm it can work well before close the door.