


PRODUCT SHEET

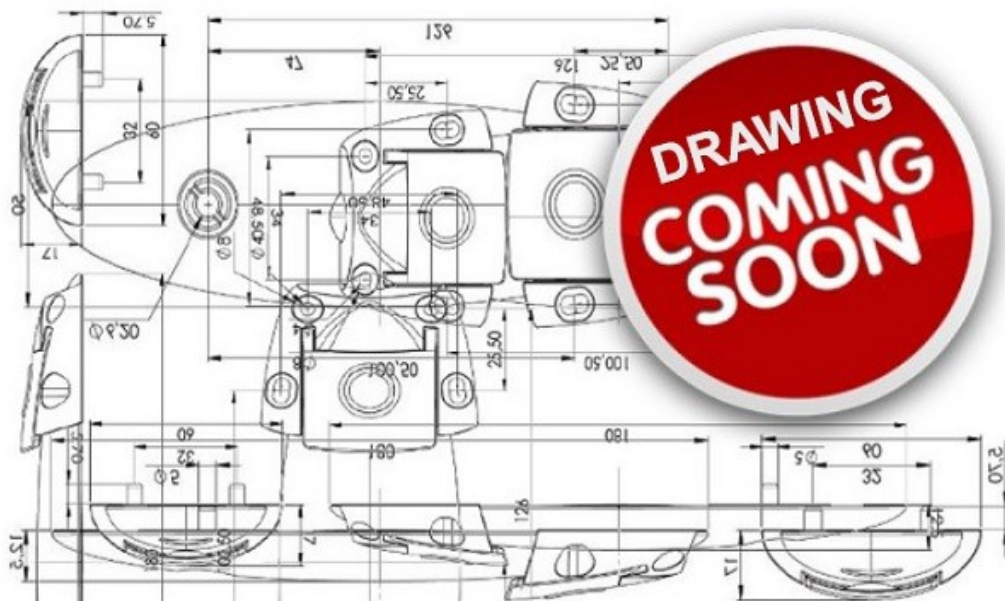
Description:

Stainless Steel Tube 304, $\varnothing 25 \times 2050$ mm

Item number:

28.29.003-0

Units	Box	Carton	HS Code	Barcode
Pcs.	0	1	8302490099	
				5704866094993



SISO A/S
Mileparken 11
DK-2740 Skovlunde
Denmark
VAT: DK 24786013

Phone +45 45 830 900
www.siso.dk
siso@siso.dk

Danske Bank
Nytorv Branch
Copenhagen
SWIFT: DABADKKK

Account no.
4180 3112 112936
IBAN Account
DK7230003112112936