


PRODUCT SHEET

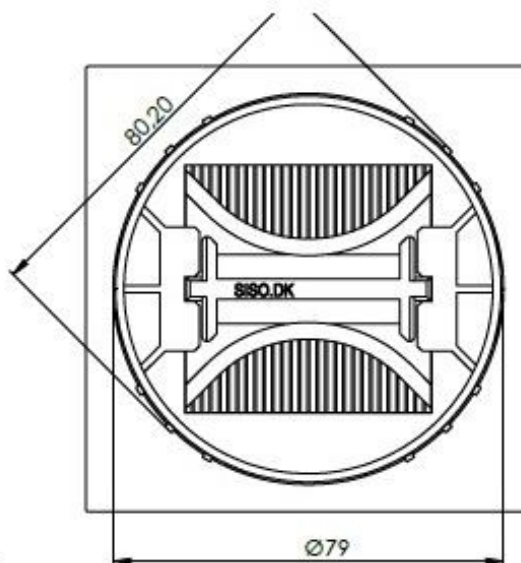
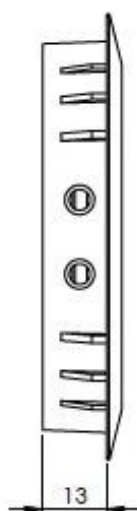
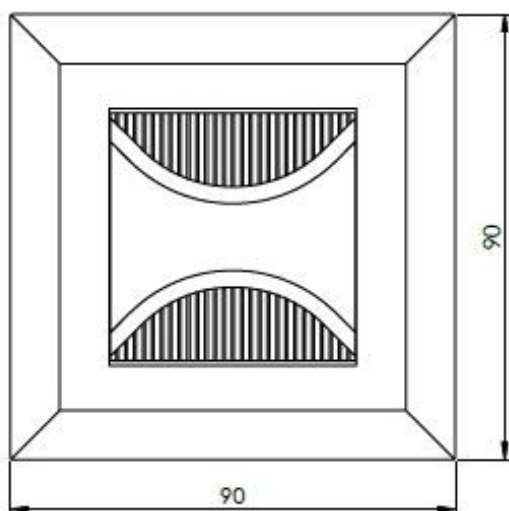
Description:

Grommet "Soul", Zamak, ø80x13mm, Alu, Butterfly Lid Top W/ Brush, Butterfly Design

Item number:

25.20.462-0

Units	Box	Carton	HS Code	Barcode
Pcs.	1	100	8302420090	
				5704866091978



SISO A/S

Mileparken 11
DK-2740 Skovlunde
Denmark
VAT: DK 24786013

Phone +45 45 830 900

www.siso.dk
siso@siso.dk

Danske Bank
Nytorv Branch
Copenhagen
SWIFT: DABADKKK

Account no.
4180 3112 112936
IBAN Account
DK7230003112112936