


PRODUCT SHEET

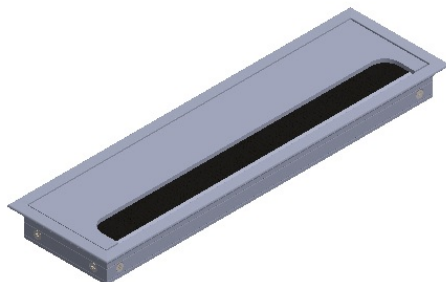
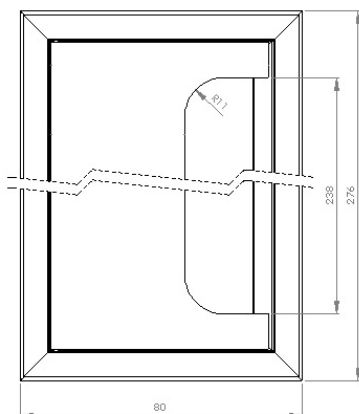
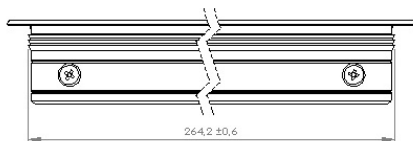
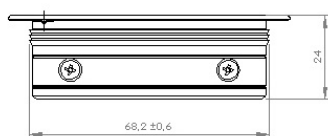
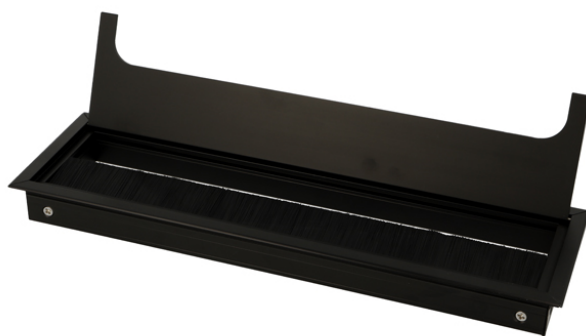
Description:

Aluminium Grommet "Rumba" 80x276x24mm Black Anodized w/Brush Inner Size 68,2x264,2mm, Tolerance +/-0,6

Item number:

25.20.346-2

Units	Box	Carton	HS Code	Barcode
Pcs.	1	80	7616991099	 5704866511278



SISO A/S

Mileparken 11
DK-2740 Skovlunde
Denmark
VAT: DK 24786013

Phone +45 45 830 900

www.siso.dk
siso@siso.dk

Danske Bank
Nytorv Branch
Copenhagen
SWIFT: DABADKKK

Account no.
4180 3112 112936
IBAN Account
DK7230003112112936