


PRODUCT SHEET

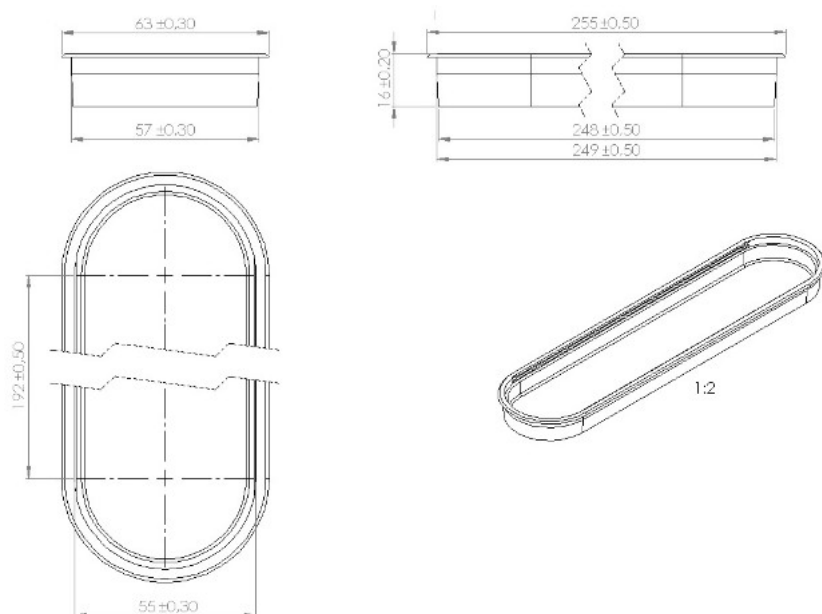
Description:

Salsa Cable Grommet "L" 250x57x15mm, Black, W/2 SS-304 Brushed Lids, W/SISO Denmark Logo On Back

Item number:

25.20.316-0

Units	Box	Carton	HS Code	Barcode
Set	20	100	3926300090	 5704866001045



SISO A/S

Mileparken 11
DK-2740 Skovlunde
Denmark
VAT: DK 24786013

Phone +45 45 830 900

www.siso.dk
siso@siso.dk

Danske Bank
Nytorv Branch
Copenhagen
SWIFT: DABADKKK

Account no.
4180 3112 112936
IBAN Account
DK7230003112112936