


PRODUCT SHEET

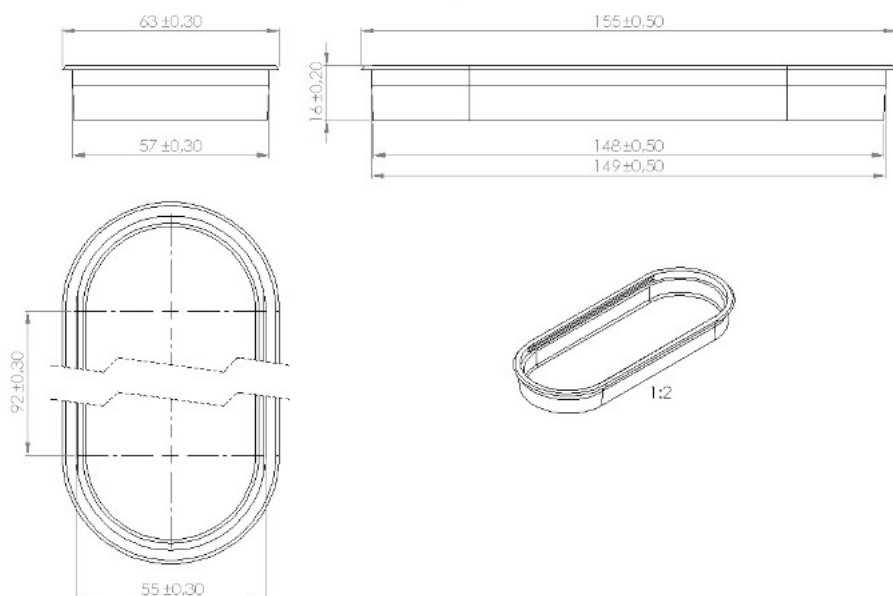
Description:

Salsa Cable Passage "M", 150x57x15mm, Black-PE MG9601, SS-Discs to be bought seperately. Item 25.20.321

Item number:

25.20.314-0

Units	Box	Carton	HS Code	Barcode
Pcs.	20	60	3926300090	
				5704866465021



SISO A/S

Mileparken 11
DK-2740 Skovlunde
Denmark
VAT: DK 24786013

Phone +45 45 830 900

www.siso.dk
siso@siso.dk

Danske Bank
Nytovr Branch
Copenhagen
SWIFT: DABADKKK

Account no.
4180 3112 112936
IBAN Account
DK7230003112112936