


PRODUCT SHEET

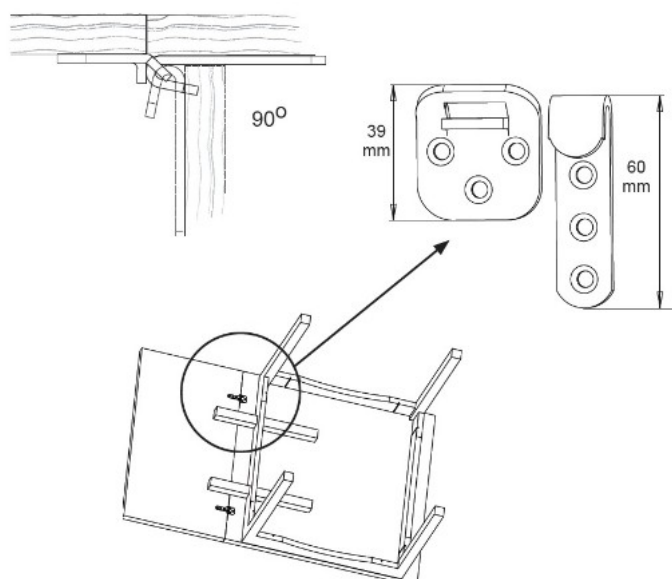
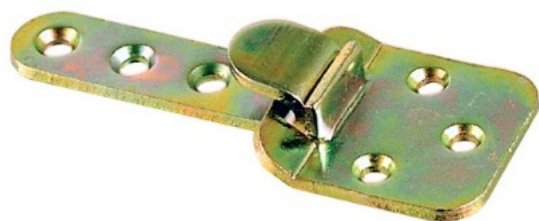
Description:

Lift Off Hinge W/Stop, F/Table Leaves, Steel, YZP, (1 Set = 1 Female + 1 Male)

Item number:

24.09.040-2

Units	Box	Carton	HS Code	Barcode
Set	1	200	8302100090	 5704866449519



SISO A/S

Mileparken 11
DK-2740 Skovlunde
Denmark
VAT: DK 24786013

Phone +45 45 830 900

www.siso.dk
siso@siso.dk

Danske Bank
Nytorv Branch
Copenhagen
SWIFT: DABADKKK

Account no.
4180 3112 112936
IBAN Account
DK7230003112112936