


# PRODUCT SHEET

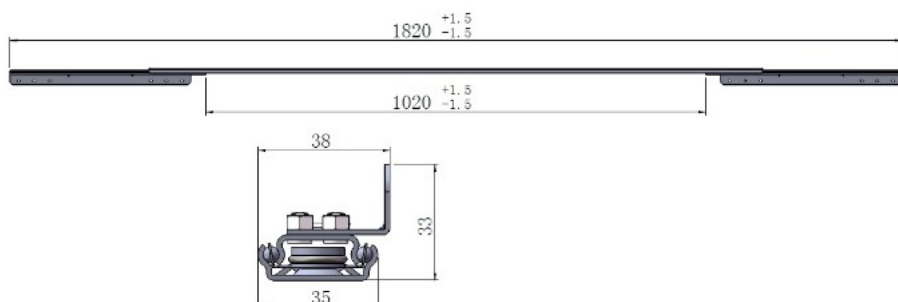
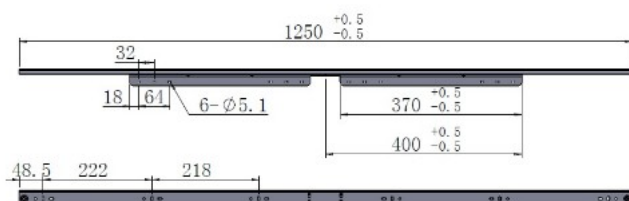
## Description:

Synchron Slide S 1250/1020, Opening 1020mm, Wing 370mm, Total Open Length:1820mm, Closed Length:1250mm, Load Cap., 60 Kg. Profile Height:35mm, Mounting Height:38mm, Steel, Thickness 1,5mm

## Item number:

24.03.561-0

Units	Box	Carton	HS Code	Barcode
Pair	1	10	8302420090	 5704866088213



## SISO A/S

Mileparken 11  
DK-2740 Skovlunde  
Denmark  
VAT: DK 24786013

Phone +45 45 830 900

[www.siso.dk](http://www.siso.dk)  
[siso@siso.dk](mailto:siso@siso.dk)

Danske Bank  
Nytorv Branch  
Copenhagen  
SWIFT: DABADKKK

Account no.  
4180 3112 112936  
IBAN Account  
DK7230003112112936