


# PRODUCT SHEET

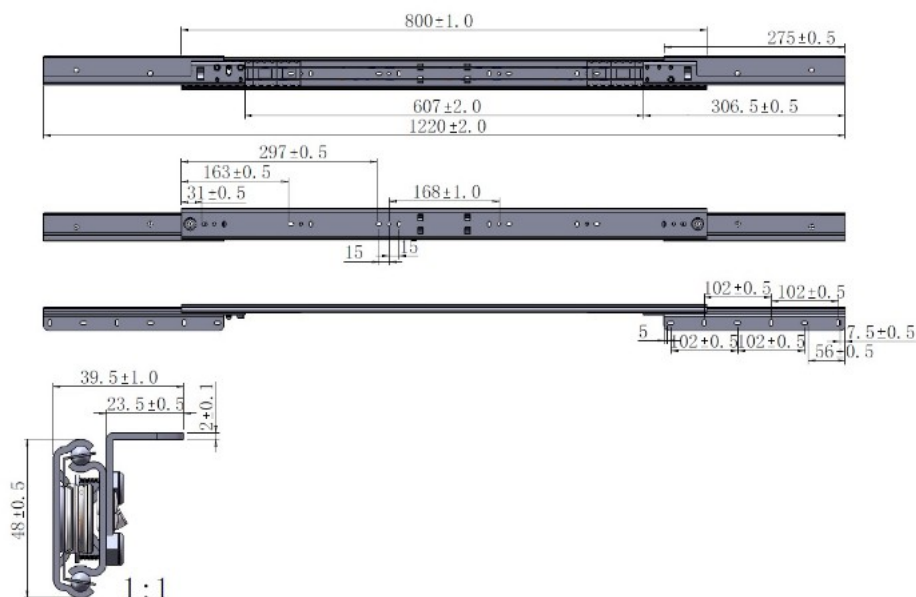
## Description:

Synchron Slide S 800/607, Opening 607mm, Wing 275mm, Lenght:1220mm, Closed Lenght:800mm, Opening:607mm,, Profile Height: 48mm, 2,0mm Steel, Mounting Height 50mm,, Load Capacity 90 KG

## Item number:

24.03.553-0

Units	Box	Carton	HS Code	Barcode
Pair	1	4	8302420090	
				5704866088176



## SISO A/S

Mileparken 11  
DK-2740 Skovlunde  
Denmark  
VAT: DK 24786013

Phone +45 45 830 900

[www.siso.dk](http://www.siso.dk)  
[siso@siso.dk](mailto:siso@siso.dk)

Danske Bank  
Nytorv Branch  
Copenhagen  
SWIFT: DABADKKK

Account no.  
4180 3112 112936  
IBAN Account  
DK7230003112112936