


PRODUCT SHEET

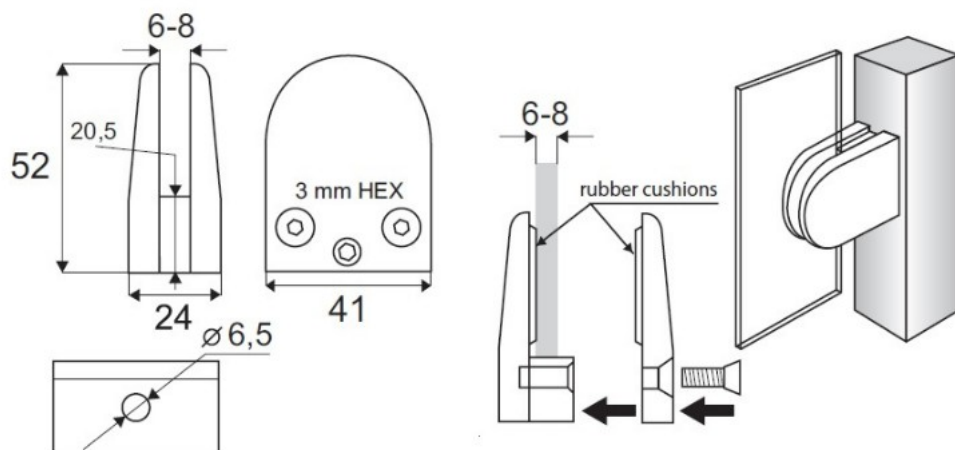
Description:

Glass Clamp, "Medium", Zamak, Matt NPL, F/Thickness 6-8mm

Item number:

22.10.161-0

Units	Box	Carton	HS Code	Barcode
Pcs.	10	100	8302419000	
				5704866083027



SISO A/S

Mileparken 11
DK-2740 Skovlunde
Denmark
VAT: DK 24786013

Phone +45 45 830 900

www.siso.dk
siso@siso.dk

Danske Bank
Nytorv Branch
Copenhagen
SWIFT: DABADKKK

Account no.
4180 3112 112936
IBAN Account
DK7230003112112936