


# PRODUCT SHEET

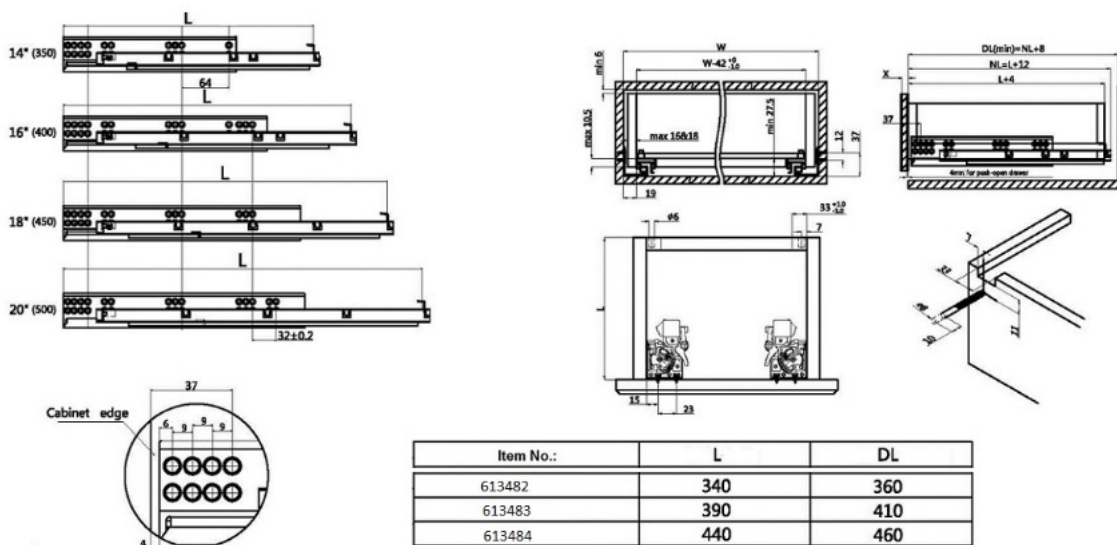
## Description:

Invis. Full Ext. Slide, Self Closing, Pre-Zinc, 550mm, W/Quick Release & Inner Dampers

## Item number:

16.13.486-0

Units	Box	Carton	HS Code	Barcode
Pair			8302420090	 5704866514491



## SISO A/S

Mileparken 11  
DK-2740 Skovlunde  
Denmark  
VAT: DK 24786013

Phone +45 45 830 900

www.siso.dk  
siso@siso.dk

Danske Bank  
Nytorv Branch  
Copenhagen  
SWIFT: DABADKKK

Account no.  
4180 3112 112936  
IBAN Account  
DK7230003112112936