


PRODUCT SHEET

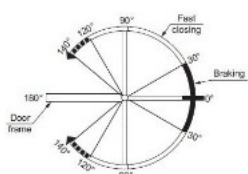
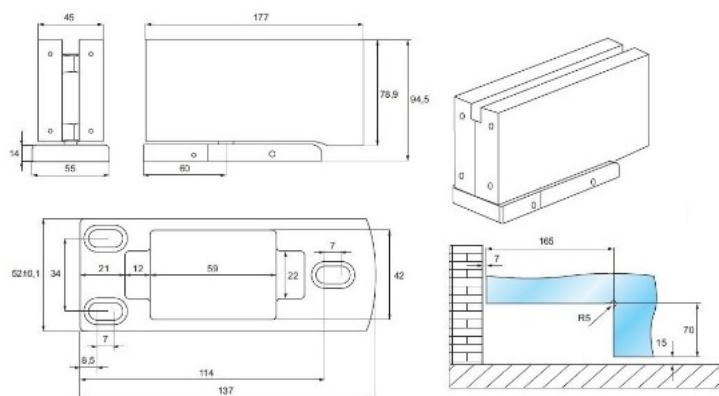
Description:

Floor Hinge "Jump III S", W/Soft Close & Hold,SS304, 24KG, Brushed, 10-15mm Glass, Anti-Wind Capability,, Door Width: Max. 450mm, Door Height: Max. 2200mm,, Door Weight: Max. 24 KG, Opening Angle:., 140° Bi-Directional, WorkingTemperature:-40~60oC

Item number:

15.24.259-0

| Units | Box | Carton | HS Code | Barcode |
|-------|-----|--------|------------|--|
| Pcs. | 1 | 5 | 8302100090 |  |
| | | | | 5704866499781 |



- Features:
1. Open angle: 140°
 2. Door hold open section: 90° and 140°-120° (Optional)
 3. Two speeds adjustable
Valve 1: 90°-0°
Valve 2: 30°-0°

| Glass thickness | Application of rubber gasket Thickness (1.5 mm) |
|-----------------|---|
| 10 mm | 4 |
| 12 mm | 4 |
| 14 mm | 2 |
| 16 mm | 2 |

SISO A/S
Mileparken 11
DK-2740 Skovlunde
Denmark
VAT: DK 24786013

Phone +45 45 830 900
www.siso.dk
siso@siso.dk

Danske Bank
Nytovr Branch
Copenhagen
SWIFT: DABADKKK

Account no.
4180 3112 112936
IBAN Account
DK7230003112112936