


PRODUCT SHEET

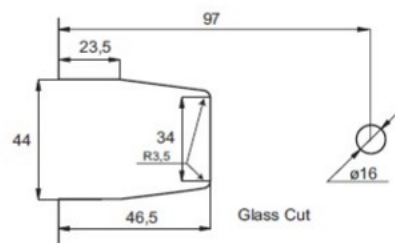
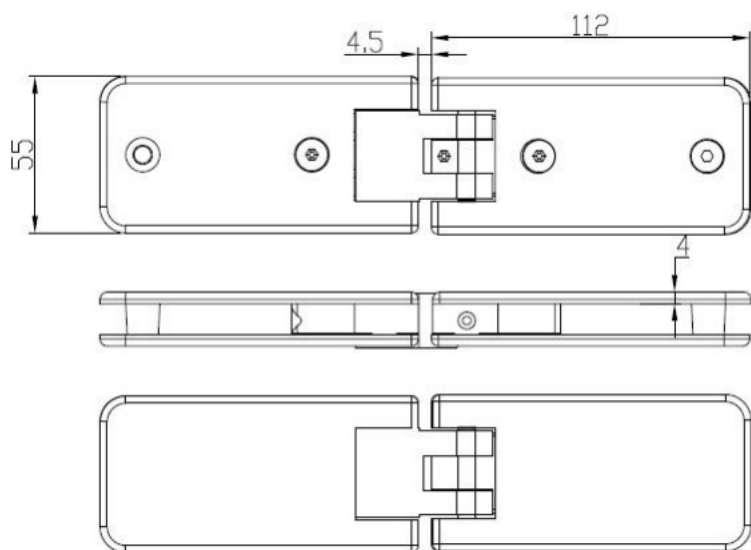
Description:

Shower Hinge "King I", 180DG, CPL, Glass/Glass, 6-10mm Glass Thickness, w/Angle Adjustment & 25DG Return Function, Brass Material, Rectangular Shape, Rounded Edges & Corners

Item number:

15.24.135-5

Units	Box	Carton	HS Code	Barcode
Pcs.	1	10	8302100090	
				5704866439572



SISO A/S

Mileparken 11
DK-2740 Skovlunde
Denmark
VAT: DK 24786013

Phone +45 45 830 900

www.siso.dk
siso@siso.dk

Danske Bank
Nytorv Branch
Copenhagen
SWIFT: DABADKKK

Account no.
4180 3112 112936
IBAN Account
DK7230003112112936