


# PRODUCT SHEET

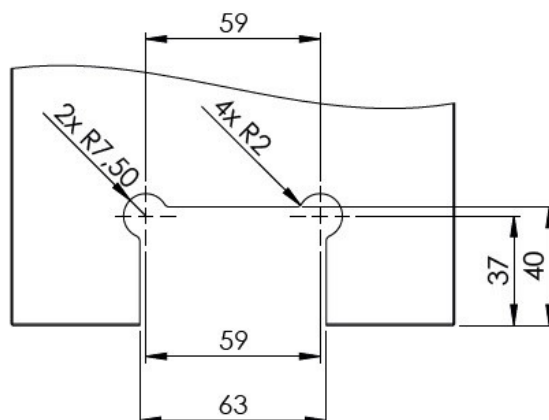
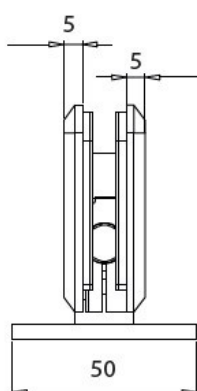
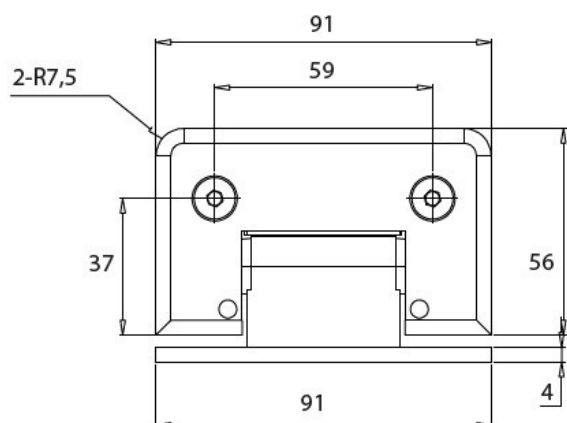
## Description:

Shower Hinge "CPH III", Wall/Glass, CPL, Centre Back Pl, 6- 10mm Glass Thickness, W/15 DG Angle Adjustment Function &, 25DG Return Function, Brass Material, Chamfered Edges

## Item number:

15.24.057-0

Units	Box	Carton	HS Code	Barcode
Pcs.	1	20	8302100090	
				5704866501941



## SISO A/S

Mileparken 11  
DK-2740 Skovlunde  
Denmark  
VAT: DK 24786013

Phone +45 45 830 900

www.siso.dk  
siso@siso.dk

Danske Bank  
Nytorv Branch  
Copenhagen  
SWIFT: DABADKKK

Account no.  
4180 3112 112936  
IBAN Account  
DK7230003112112936