


# PRODUCT SHEET

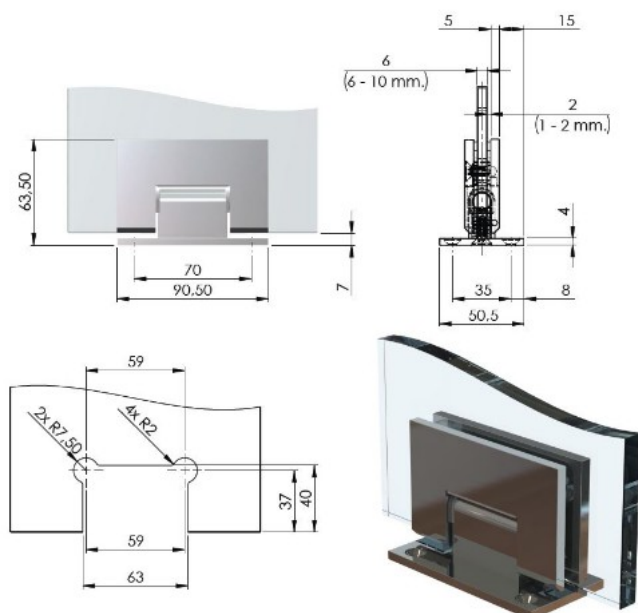
## Description:

Shower Hinge "Tex III", Wall/Glass, CPL, Centre Back Pl, 6- 10mm Glass Thickness, W/15DG Angle Adjustment Function & 25DG, Return Function, Brass Material, Straight Edges, 2 x Transp. 1mm & 2 x Transp. Cushions 2mm Thickness

## Item number:

15.24.050-0

Units	Box	Carton	HS Code	Barcode
Pcs.	1	20	8302100090	
				5704866060783



## SISO A/S

Mileparken 11  
DK-2740 Skovlunde  
Denmark  
VAT: DK 24786013

Phone +45 45 830 900

[www.siso.dk](http://www.siso.dk)  
[siso@siso.dk](mailto:siso@siso.dk)

Danske Bank  
Nytorv Branch  
Copenhagen  
SWIFT: DABADKKK

Account no.  
4180 3112 112936  
IBAN Account  
DK7230003112112936