


# PRODUCT SHEET

## Description:

"INVISIO" Double Clip #4037, F/16mm Panel, Semi Locking

## Item number:

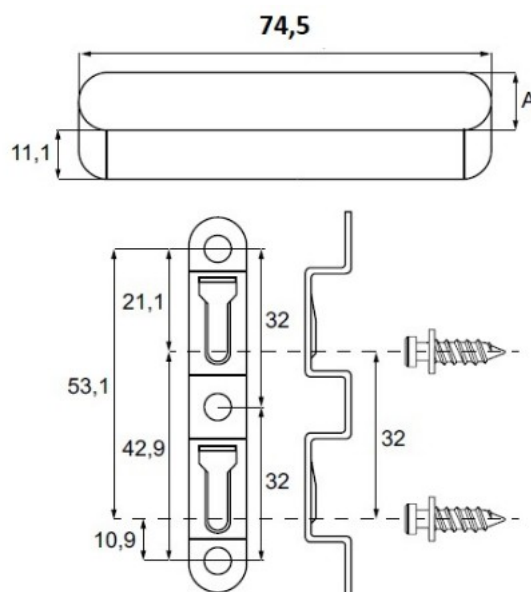
11.16.260-0

Units	Box	Carton	HS Code	Barcode
Pcs.	1	2000	8302420090	
				5704866018173



### DOUBLE CLIP

Part No.	Description	Panel thickness	Pocket width - A
4036	NON-LOCKING	16 mm	11 mm
4037	SEMI-LOCKING	16 mm	11 mm
4038	LOCKING	16 mm	11 mm
4039	PASS-THRU	16 mm	11 mm
4039A	PASS-THRU	16 mm	11 mm
5033	NON-LOCKING	19 mm	13,3 mm
5034	LOCKING	19 mm	13,3 mm
5035	SEMI-LOCKING	19 mm	13,3 mm
5039	PASS-THRU	19 mm	13,3 mm
5039A	PASS-THRU	19 mm	13,3 mm
	SEMI-LOCKING	19 mm	13,3 mm



### SISO A/S

Mileparken 11  
DK-2740 Skovlunde  
Denmark  
VAT: DK 24786013

Phone +45 45 830 900

www.siso.dk  
siso@siso.dk

Danske Bank  
Nytorv Branch  
Copenhagen  
SWIFT: DABADKKK

Account no.  
4180 3112 112936  
IBAN Account  
DK7230003112112936