


PRODUCT SHEET

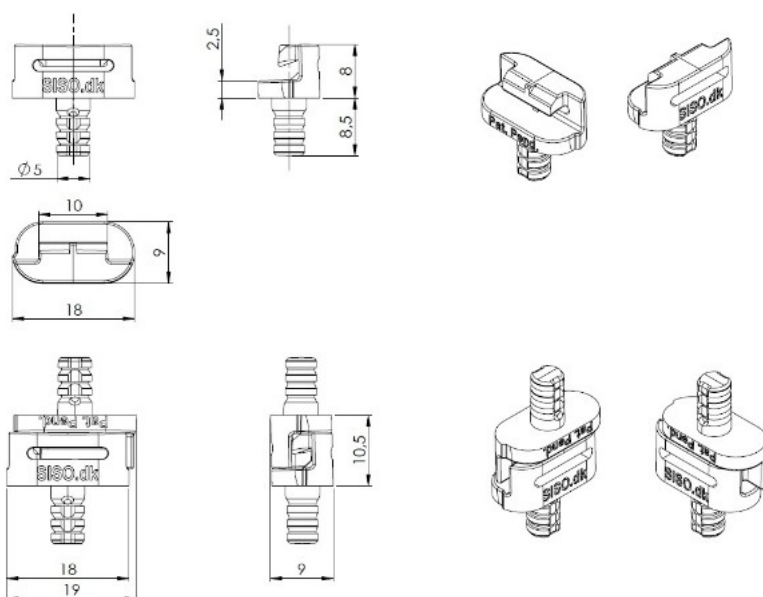
Description:

Slide-on Connector "Temari", W/ø5x9mm Dowel, Grey PC, Uni- versal

Item number:

11.04.560-0

Units	Box	Carton	HS Code	Barcode
Pcs.	100	12500	3926909790	 5704866510509



SISO A/S

Mileparken 11
DK-2740 Skovlunde
Denmark
VAT: DK 24786013

Phone +45 45 830 900

www.siso.dk
siso@siso.dk

Danske Bank
Nytorv Branch
Copenhagen
SWIFT: DABADKKK

Account no.
4180 3112 112936
IBAN Account
DK7230003112112936