


## PRODUCT SHEET

### Description:

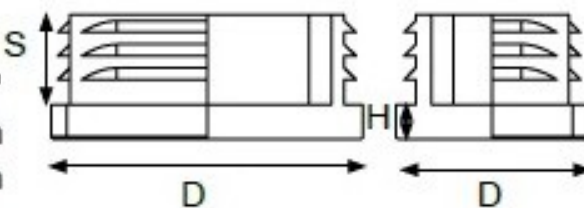
Insert Glide For Rectangular Tubes, 40x25mm, PE, Black

### Item number:

10.04.170-0

| Units | Box | Carton | HS Code    | Barcode   |
|-------|-----|--------|------------|---|
| Pcs.  |     | 500    | 3901908099 | <br>5704866007511 |



| Color | D<br>diameter | S<br>shaft | H<br>height |  |
|-------|---------------|------------|-------------|--|
| Black | 30 x 20 mm    | 14 mm      | 5,0 mm      |  |
| Black | 35 x 20 mm    | 13,6 mm    | 5,1 mm      |  |
| Black | 35 x 25 mm    | 13,5 mm    | 4,6 mm      |  |
| Black | 40 x 20 mm    | 13,9 mm    | 4,6 mm      |  |
| Black | 40 x 25 mm    | 11,7 mm    | 4,8 mm      |  |
| Black | 50 x 25 mm    | 12,2 mm    | 5,3 mm      |  |
| Black | 50 x 30 mm    | 13,6 mm    | 4,6 mm      |  |
| Black | 50 x 40 mm    | 12 mm      | 5,3 mm      |  |
| Black | 60 x 20 mm    | 14,2 mm    | 4,9 mm      |  |
| Black | 60 x 30 mm    | 13,7 mm    | 5,0 mm      |  |
| Black | 80 x 30 mm    | 17,8 mm    | 5,6 mm      |  |

### SISO A/S

Mileparken 11  
DK-2740 Skovlunde  
Denmark  
VAT: DK 24786013

Phone +45 45 830 900

[www.siso.dk](http://www.siso.dk)  
[siso@siso.dk](mailto:siso@siso.dk)

Danske Bank  
Nytorv Branch  
Copenhagen  
SWIFT: DABADKKK

Account no.  
4180 3112 112936  
IBAN Account  
DK7230003112112936