


PRODUCT SHEET

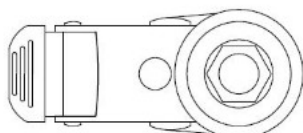
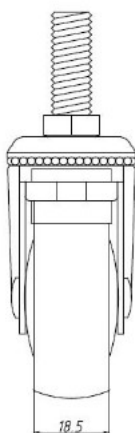
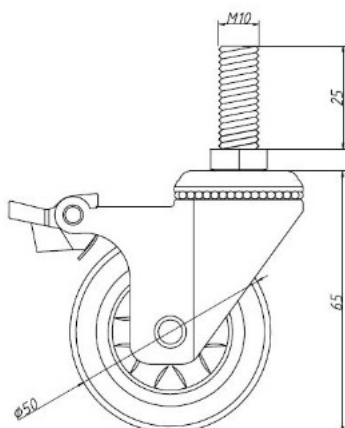
Description:

Fork Castor "Nero" ø50mm,W/Stem 10x25mm, W/Brake, MH 65mm, Soft Rubber Track, Loading Capacity 30kg

Item number:

08.12.393-0

Units	Box	Carton	HS Code	Barcode
Pcs.		200	8302200090	 5704866516105



SISO A/S

Mileparken 11
DK-2740 Skovlunde
Denmark
VAT: DK 24786013

Phone +45 45 830 900

www.siso.dk
siso@siso.dk

Danske Bank
Nytorv Branch
Copenhagen
SWIFT: DABADKKK

Account no.
4180 3112 112936
IBAN Account
DK7230003112112936