


## PRODUCT SHEET

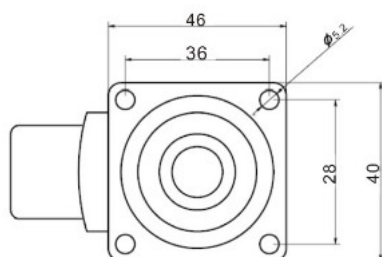
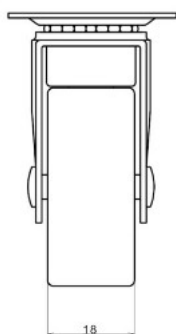
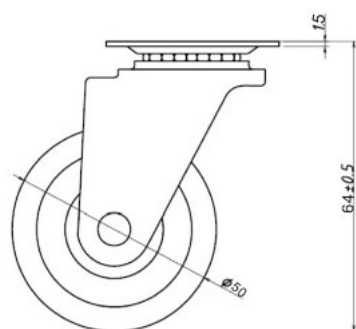
### Description:

Fork Castor "Nero"  $\varnothing 50\text{mm}$ , W/Top PL 46x40mm, MH 64mm, Soft Rubber Track, Loading Capacity 30kg., cc: 36x28mm

### Item number:

08.12.384-0

| Units | Box | Carton | HS Code    | Barcode  |
|-------|-----|--------|------------|--|
| Pcs.  | 1   | 250    | 8302200090 |  |
|       |     |        |            | 5704866516044  |



### SISO A/S

Mileparken 11  
DK-2740 Skovlunde  
Denmark  
VAT: DK 24786013

Phone +45 45 830 900

[www.siso.dk](http://www.siso.dk)  
[siso@siso.dk](mailto:siso@siso.dk)

Danske Bank  
Nytorv Branch  
Copenhagen  
SWIFT: DABADKKK

Account no.  
4180 3112 112936  
IBAN Account  
DK7230003112112936