


## PRODUCT SHEET

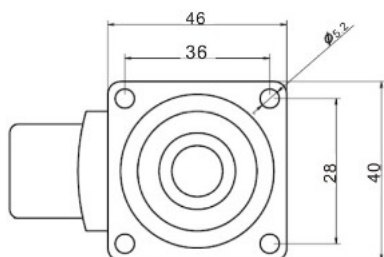
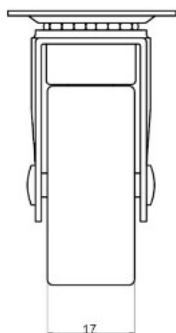
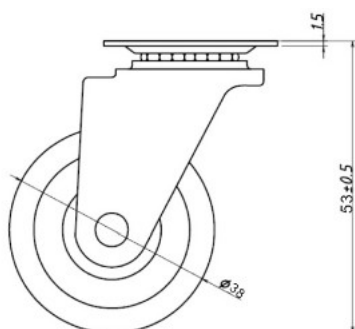
### Description:

Fork Castor "Nero"  $\varnothing 38\text{mm}$ , W/Top PL 46x40mm, MH 53mm, Soft Rubber Track, Loading Capacity 25kg., cc: 36x28mm

### Item number:

08.12.382-0

Units	Box	Carton	HS Code	Barcode
Pcs.	1	250	8302200090	 5704866516020



### SISO A/S

Mileparken 11  
DK-2740 Skovlunde  
Denmark  
VAT: DK 24786013

Phone +45 45 830 900

[www.siso.dk](http://www.siso.dk)  
[siso@siso.dk](mailto:siso@siso.dk)

Danske Bank  
Nytorv Branch  
Copenhagen  
SWIFT: DABADKKK

Account no.  
4180 3112 112936  
IBAN Account  
DK7230003112112936