


PRODUCT SHEET

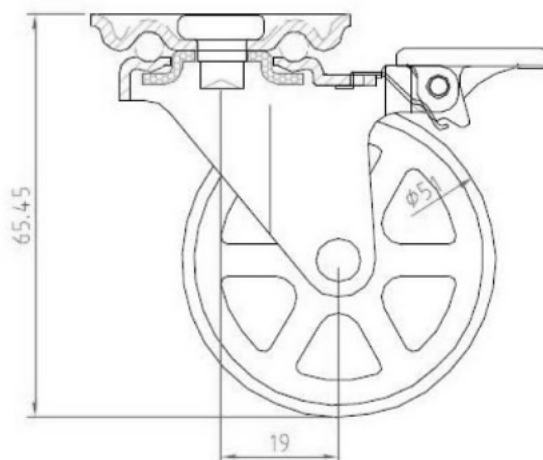
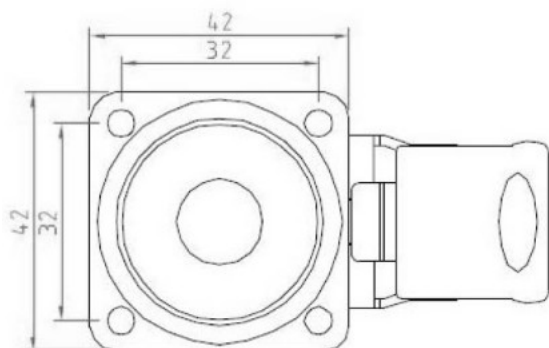
Description:

Fork Castor "Jac" ø50mm, W/Top PL 42x42x2mm,W/Brake,Black PU Rings, Bright Anodized Aluminium Wheel, Chrome Pl. Steel, Fork, Zinc Plated Top Plate cc:32mm, Load Capacity 40KG

Item number:

08.12.351-0

Units	Box	Carton	HS Code	Barcode
Pcs.	8	64	8302200090	
				5704866478144



SISO A/S

Mileparken 11
DK-2740 Skovlunde
Denmark
VAT: DK 24786013

Phone +45 45 830 900

www.siso.dk
siso@siso.dk

Danske Bank
Nytorv Branch
Copenhagen
SWIFT: DABADKKK

Account no.
4180 3112 112936
IBAN Account
DK7230003112112936