


PRODUCT SHEET

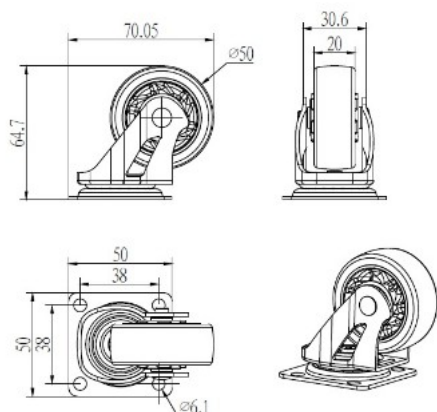
Description:

Fork Castor "Spike" \varnothing 50mm,W/Top PL 50x50x1,8mm,Transparent PU, cc:38x38mm, Mounting Height 64mm., Load Capacity: 35kg

Item number:

08.12.332-0

Units	Box	Carton	HS Code	Barcode
Pcs.	8	80	8302200090	 5704866447485



SISO A/S

Mileparken 11
DK-2740 Skovlunde
Denmark
VAT: DK 24786013

Phone +45 45 830 900

www.siso.dk
siso@siso.dk

Danske Bank
Nytorv Branch
Copenhagen
SWIFT: DABADKKK

Account no.
4180 3112 112936
IBAN Account
DK7230003112112936