


PRODUCT SHEET

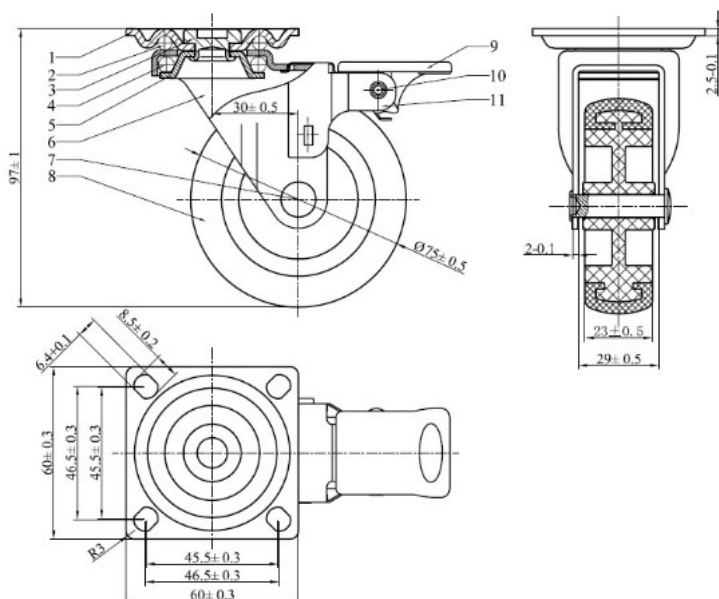
Description:

Fork Castor "Caesar" $\varnothing 75\text{mm}$, Grey PU Tyre, W/Brake & Top Plate :60x60mm, cc:46,2x46,2mm, $\varnothing 8 \times 6,4\text{mm}$ Screw Holes, All Metal, Zinc Plated, Mounthing Height:99mm, Dynamic Load Capacity:, 40Kg, Static: 60kg

Item number:

08.12.233-0

Units	Box	Carton	HS Code	Barcode
Pcs.	1	48	8302200090	
				5704866107563



SISO A/S

Mileparken 11
DK-2740 Skovlunde
Denmark
VAT: 24786013

Phone +45 45 830 900

www.siso.dk
siso@siso.dk

Danske Bank
Nytorv Branch
Copenhagen
SWIFT: DABADKKK

Account no.
4180 3112 112936
IBAN Account
DK7230003112112936