


PRODUCT SHEET

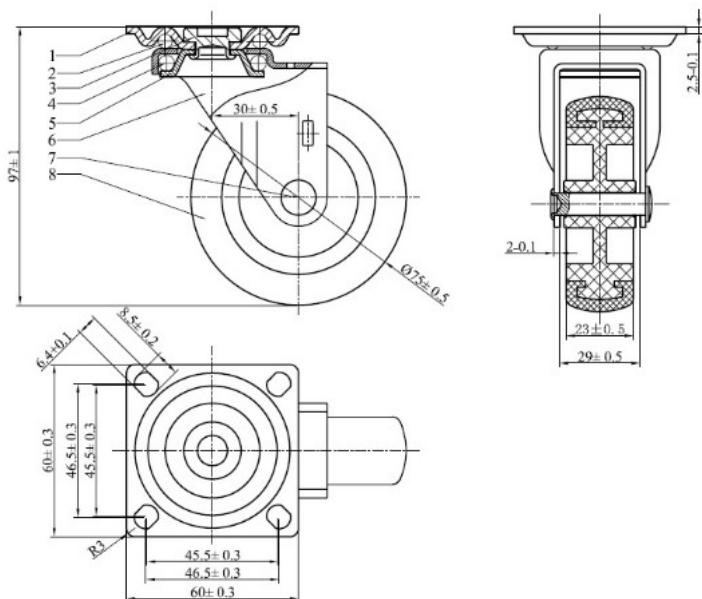
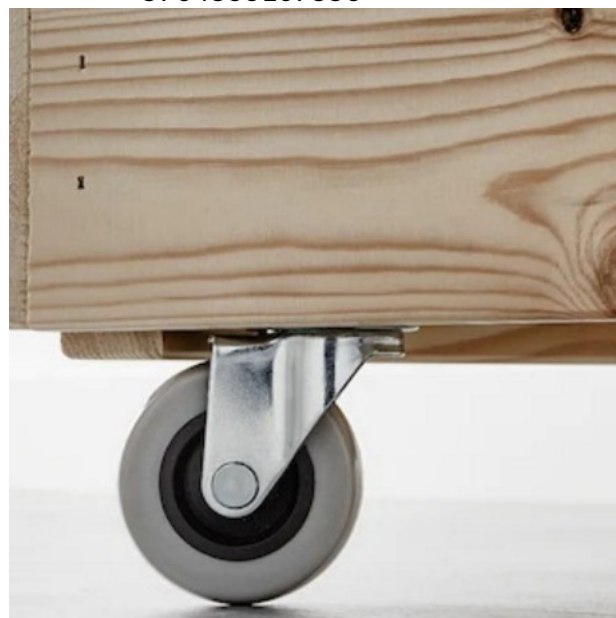
Description:

Fork Castor "Caesar" $\varnothing 75\text{mm}$, Grey PU Tyre, W/Top Plate $60 \times 60\text{ mm}$, cc: $46,2 \times 46,2\text{mm}$, $\varnothing 8 \times 6,4\text{mm}$ Screw Holes, All Metal Zinc, Plated, Mounthing Height: 99mm , Dynamic Load Cap.: 40kg ., Static: 60kg

Item number:

08.12.232-0

Units	Box	Carton	HS Code	Barcode
Pcs.	1	48	8302200090	
				5704866107556



SISO A/S

Mileparken 11
DK-2740 Skovlunde
Denmark
VAT: 24786013

Phone +45 45 830 900

www.siso.dk
siso@siso.dk

Danske Bank
Nytorv Branch
Copenhagen
SWIFT: DABADKKK

Account no.
4180 3112 112936
IBAN Account
DK7230003112112936