


PRODUCT SHEET

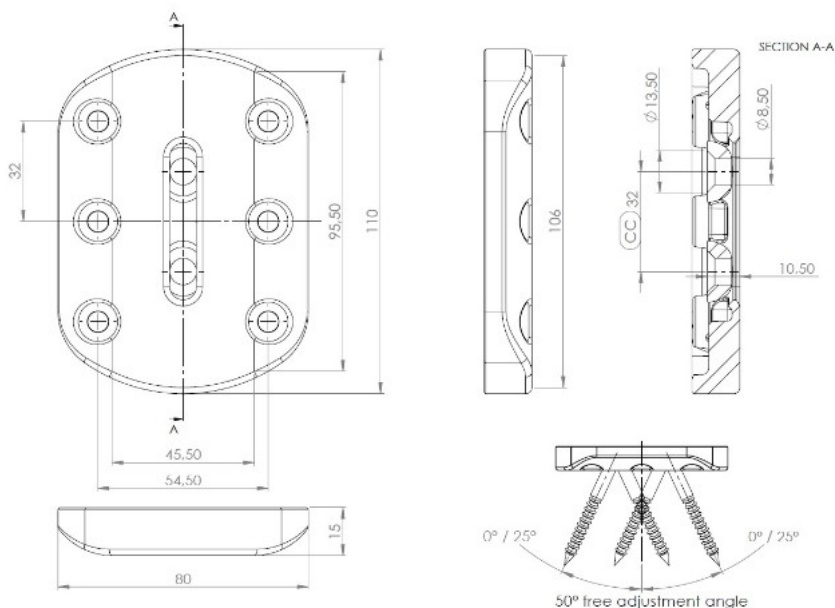
Description:

Leg Connector "Conan", SS304, Raw, F/Slanted Legs (Screws For Leg Fixing to be bought separately. 2 x 06.11.215-0)

Item number:

06.11.211-0

Units	Box	Carton	HS Code	Barcode
Pcs.	4	40	8302420090	
				5704866503587



SISO A/S

Mileparken 11
DK-2740 Skovlunde
Denmark
VAT: DK 24786013

Phone +45 45 830 900

www.siso.dk
siso@siso.dk

Danske Bank
Nytorv Branch
Copenhagen
SWIFT: DABADKKK

Account no.
4180 3112 112936
IBAN Account
DK7230003112112936