


PRODUCT SHEET

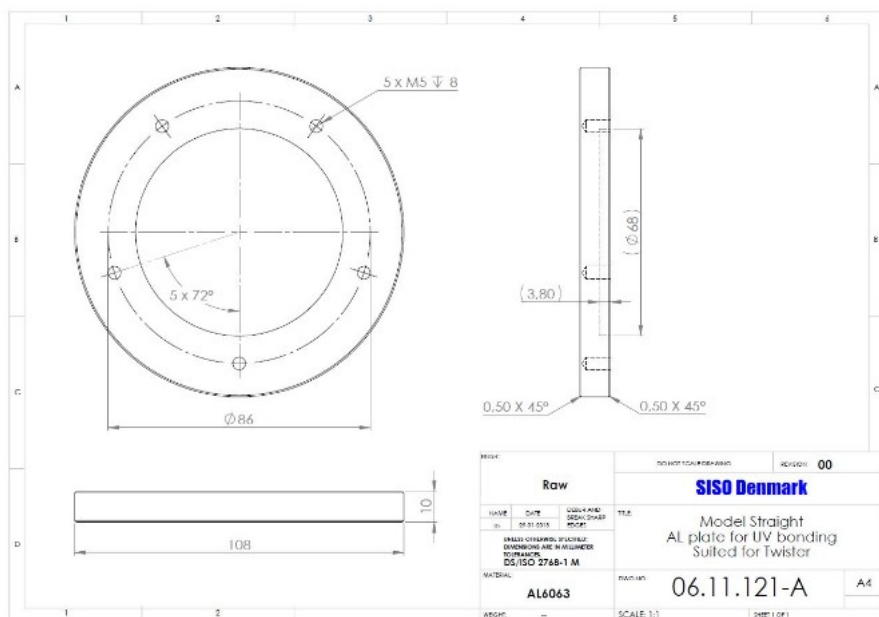
Description:

Aluminum Disc F/Twister, F/UV-Glue, $\varnothing 108 \times 10 \text{mm}$, Fixing Holes, Twister Connector & Screws to be bought, Separately

Item number:

06.11.121-0

Units	Box	Carton	HS Code	Barcode
Pcs.	1	100	7616991099	
				5704866459532



SISO A/S
Mileparken 11
DK-2740 Skovlunde
Denmark
VAT: DK 24786013

Phone +45 45 830 900
www.siso.dk
siso@siso.dk

Danske Bank
Nytovr Branch
Copenhagen
SWIFT: DABADKKK

Account no.
4180 3112 112936
IBAN Account
DK7230003112112936