


PRODUCT SHEET

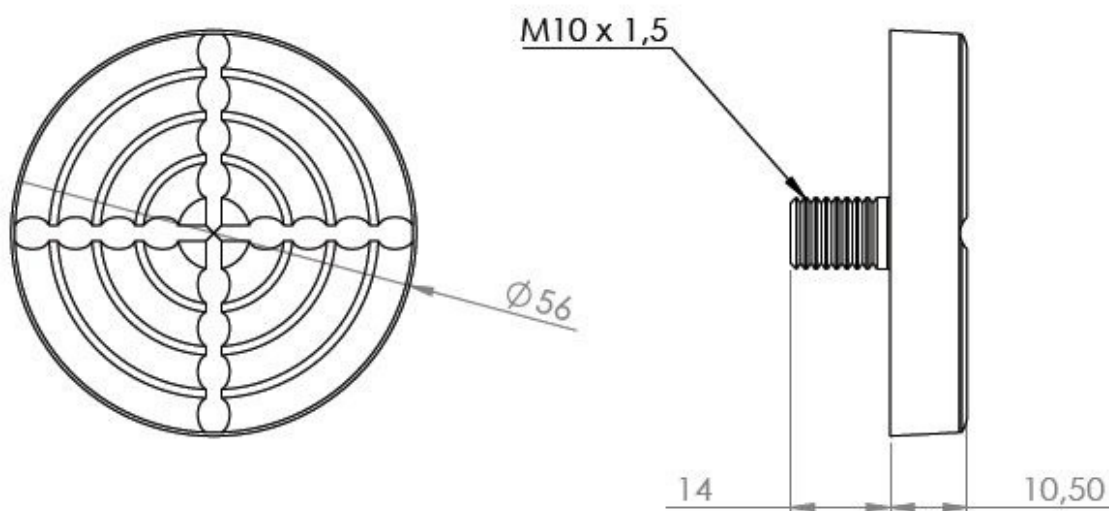
Description:

Stacking Bumper F/Multifunctional Leg Bracket "Curly", Black Silicon, $\varnothing 56 \times 10,5$ mm, Thread: M10x14 mm

Item number:

06.11.055-0

Units	Box	Carton	HS Code	Barcode
Pcs.	1	300	3910000090	 5704866484619



SISO A/S

Mileparken 11
DK-2740 Skovlunde
Denmark
VAT: DK 24786013

Phone +45 45 830 900

www.siso.dk
siso@siso.dk

Danske Bank
Nytorv Branch
Copenhagen
SWIFT: DABADKKK

Account no.
4180 3112 112936
IBAN Account
DK7230003112112936